



Atlas Workholding Air Powered Front Mount B60 Dead Length Collet Chucks

No Draw-tube or Air Feed Tubes Required: for Lathes, Rotary Tables and Grinders: Series ATL208-B60

Uses B60 Collets see page 118-119

Collet Chuck Order No. with Mount:

ATL208-B60

Straight Recess Mount Type A Mount

ATL208-B60A5

ATL208-B60A6

ATL208-B60A8

Type D Mount

ATL208-B60D4

ATL208-B60D5

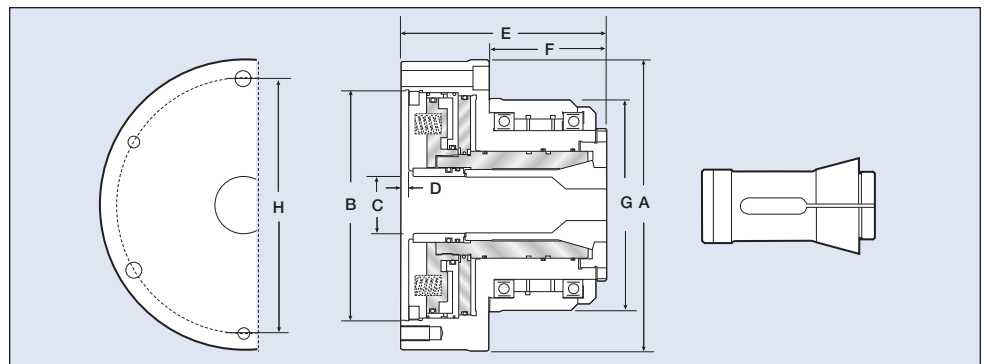
ATL208-B60D6

ATL208-B60D8

Collet Chuck Supplied with:

- 2 Filter Bars
- 2 Air Hoses
- 1 Fixing Bracket for Hoses
- 1 Hex Key
- Mounting Bolts
- Users Manual

- No Hydraulic System Required
- No Draw Tube or Air Feed Tubes Restricting Spindle Bore
- No Rear Cylinders and Cylinder Adapters
- Low Cost
- Easily Convert any Lathe or Grinder into a Production Machine
- Ideal for Rotary Table Applications
- Change from Collet Chuck to Standard Chuck Quick and Easy
- High Speed 3000 RPM
- High Accuracy Less Than .001" TIR
- Repeats on Duplicate Parts Plus Minus .0002"
- Dead Length Design
- For Best Accuracy Use High Quality Crawford Collets
- Lever or Foot Pedal Actuated
- Low Maintenance with Oil Mist Lubrication System
- High Resistance to Coolant and Chip Penetration
- Uses B60 Collets, Range 1/16" (1mm) to 2-3/8" (60.5mm)
- Available in A, D, L, Threaded and Straight Recess Mounting



Collet Chuck	ATL208-B60
A	207mm (8.15")
B	170mm (6.69")
C	60.5mm (2.37")
D	5mm (0.20")
E	148mm (5.83")
F	86mm (3.39")
G	168mm (6.61")
H	186mm (7.32")

Specifications	ATL208-B60
Screw Hole Dia	11mm (0.43")x3 - M10xP1.5x3
Collet Type	B60 Collets
Max. RPM	3000
Sleeve Stroke	4mm (0.16")
Air Pressure	3-8 kg/cm ² (42-114 psi)
Through Hole Dia	65mm (2.375")
Chuck Weight	18.kgkg (42.6lbs)
Grip Force	15,950 lbs @ 100 PSI

NOTE: "E" shown is for model ATL208-B60 Collet Chuck with no mounting plate. Add 3/4" to the "E" dimension for mounting plate. This will vary slightly depending on the mounting required. If an exact "E" dimension is required, consult factory.

OPTIONS: Order No: **LEV100** Lever Control Package: (Includes: Lever Control, Line Filter, Lubricator and regulator.

Order No: **FOT200** Foot Pedal Control Package: (Includes: Foot Pedal, Line Filter, Lubricator and regulator.