



Atlas Workholding 3-Jaw CNC Diaphragm Chuck for Grinders

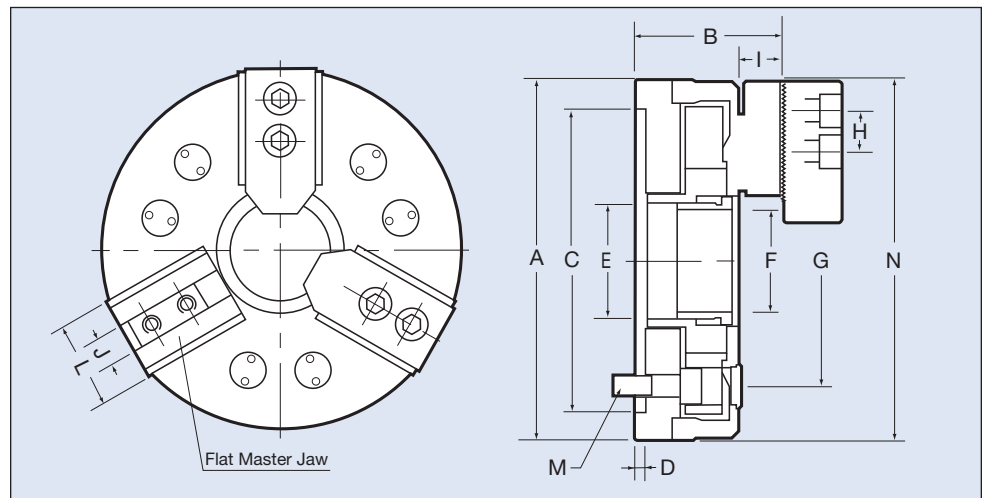
PBA/Atlas patented diaphragm chuck technology has proven to be able to offer the greatest chucking accuracy to your grinders. ATL300G 3-Jaw CNC Diaphragm Power Chucks perform their clamping movement by material deformation which features high repeatability and low maintenance requirements. Compared to traditional wedge-hook power chucks, ATL300G owns the un-matchable 0.002mm (0.00008") repeatability and longer product life because ATL300G has no clearance, no sliding parts to wear out.

In addition to its chucking accuracy, ATL300G is also able to survive under many critical machining conditions. ATL300G is highly sealed and resistant to fluid, dust, cutting chips and powder penetration.

ATL300G is specially designed for turning machines which require lower RPM operation, such as ID/OD grinders or NC lathes. This chuck is low profile and has low weight design which can enables your machines to have high performance and micro level chucking accuracy.

- ⊕ Chucking repeatability is within 0.002mm k1 (0.00008")
- ⊕ Specially designed for high accuracy grinder
- ⊕ Highly-sealed chuck body ensures survival under dust, chips or any harsh working environments.
- ⊕ No clearance, no sliding parts to wear out, High Accuracy can remain for years.
- ⊕ No lubrication is needed, low maintenance is required.
- ⊕ Clamping force is proportional to the cylinder force, ideal for second operation such as accurate turning or grinding
- ⊕ Low weight and low profile design
- ⊕ Adjustable clamping force
- ⊕ Suitable for fragile or thin parts clamping.
- ⊕ High rigidity.

Dimensional Data



Chuck Order No.

ATL306G-00
ATL308G-00

with Mount:

ATL306G-A5
ATL306G-A6

ATL308G-A5
ATL308G-A6
ATL308G-A8

Reference catalog for
Soft Top Jaws, use standard
1.5mm x 60° jaws

	Model No.		ATL306G	ATL308G
A		mm/in	167/6.57	197/7.76
B		mm/in	65/2.56	71/2.80
C		mm/in	140/5.51	170/6.69
D		mm/in	5/0.20	5/0.20
E			M55 x P2.0	M60 x P2.0
F	Thru-hole	mm/in	44/1.73	53/2.09
G		mm/in	104.8/4.13	133.4/5.26
H		mm/in	20/0.79	25/0.98
I		mm/in	17.5/0.69	19/0.75
J		mm/in	12/0.47	14/0.55
L		mm/in	38/1.50	42/1.65
M			M10 x 6	M12 x 6
N		mm/in	165/6.50	197/7.76
	Maximum speed	rpm	600	600
	Master jaw		Flat	Flat
	Jaw stroke in	mm/in	0.6/0.02	0.8/0.03
	Weight	kg/lbs	5.5/12.1	8/17.6