

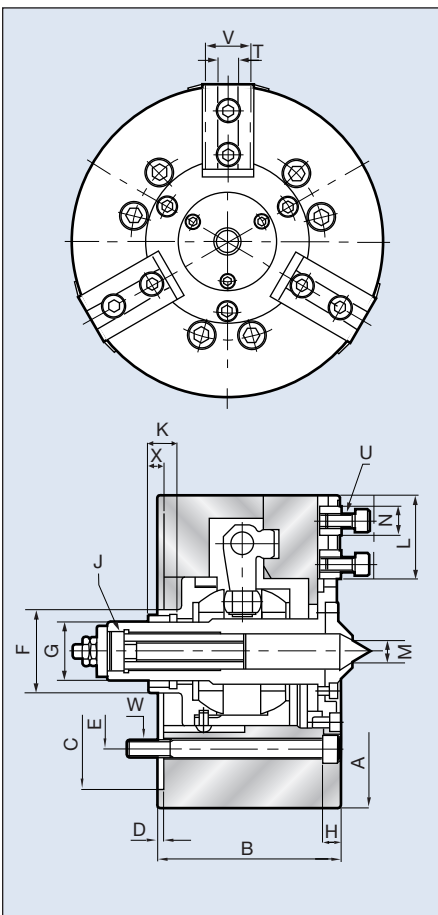
Atlas Workholding Floating Type Compensating Power Chuck

DFC Chucks 7" - 16"

- ⊕ 3 jaw power chuck with float compensation designed for shaft applications machined on centers
- ⊕ Supplied with fixed or spring center (specify when ordering)
- ⊕ Maximum durability achieved through internal sliding on spherical surface
- ⊕ Adapter mount for A type spindles
- ⊕ Larger sizes available on request

Model No.	Jaw Stroke Dia.	Sleeve Stroke	Comp Range Stroke	Min. Gripping Dia.	Draw Bar Pull lb/f	Grip Force lb/f	Max RPM	Wt. lbs
DFC7-A4	.394	.787	.157	.787	3,200	5,550	4000	33
DFC7-A5	.394	.787	.157	.787	3,200	5,550	4000	33
DFC7-A6	.394	.787	.157	.787	3,200	5,550	4000	33
DFC8-A6	.787	.984	.157	.984	4,400	6,600	3200	62
DFC8-A8	.787	.984	.157	.984	4,400	6,600	3200	62
DFC10-A6	.787	.984	.196	1.181	5,076	7,936	2500	108
DFC10-A8	.787	.984	.196	1.181	5,076	7,936	2500	108
DFC12-A8	.984	1.181	.236	1.181	5,700	9,250	2000	128
DFC12-A11	.984	1.181	.236	1.181	5,700	9,250	2000	128
DFC16-A8	1.181	1.634	.394	1.575	6,850	19,850	1000	374
DFC16-A11	1.181	1.634	.394	1.575	6,850	19,850	1000	374

Power Chucks



DFC10, DFC18 and Larger sizes available on request.

Dimensional Data

MODEL	DFC7	DFC8	DFC10	DFC12	DFC16
A	6.69	8.46	10	11	16.5
B	3.90	4.97	5.63	6.09	7.28
C	5.512	7.480	8.66	10.039	14.961
D	.157	.165	.196	.224	.224
E	4.125	5.250	6.75	6.748	8.661
F	1.654	2.244	2.64	2.835	3.543
G	1.024	1.575	1.77	1.969	1.969
H	.433	.512	.67	.669	1.102
J	M34x1.5	M50x1.5	M58x1.5	M55x1.5	M70x1.5
K	.787	.787	.787	.787	.787
L	1.772	2.264	2.519	2.835	5.295
M	.433	.591	.708	.787	.787
N	.630	.787	.745	1.024	1.102
T	.433	.551	.708	.787	.826
U	M8	M10	M12	M12	M16
V	1.083	1.339	1.575	1.732	1.929
W	M10x100	6-M12x125	6-M16x160	6-M16x160	9-M20x180
X	1.102	1.062	1.062	1.063	.984

HOW TO ORDER: State quantity, Model Number of chuck and shipping instructions.