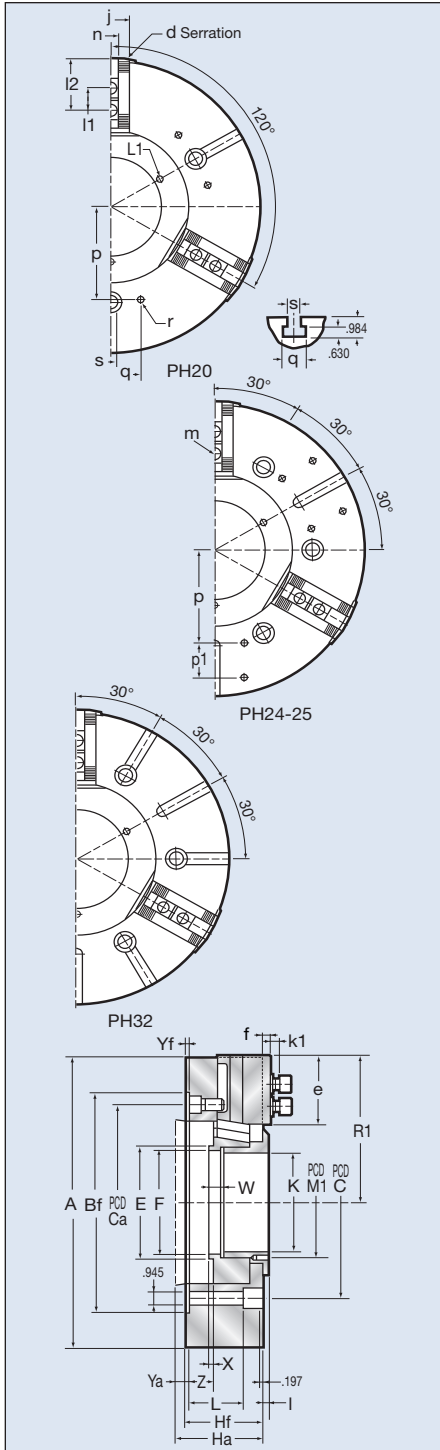


Atlas Workholding 3-Jaw Large Thru-hole Wedge Type Power Chuck

PHB 20", 24", 25" & 32" Chucks

- ⊕ Large Thru-hole
- ⊕ Hardened jaw ways and all internal parts
- ⊕ Repeatability ± .0015
- ⊕ Full 1 year warranty, includes parts and labor
- ⊕ All steel body
- ⊕ 3mm 60° master



Model No.	Chuck Width Ha	Thru Hole Dia	Jaw Stroke Dia	Sleeve Stroke	Gripping Capacity		Draw Bar Pull lb/f	Grip Force lb/f	Max RPM	Wt lbs
					Max	Min				
PHB20-A11	6.653"	6.693"	.551"	1.575"	19.68"	2.677"	15,740	44,880	1800	286
PHB24-A11	7.556"	8.070"	.669"	1.338"	24.01"	5.984"	22,486	48,200	1400	595
PHB24-A15	7.677"	8.070"	.669"	1.338"	24.01"	5.984"	22,486	48,200	1400	595
PHB25-A11	7.559"	9.055"	.669"	1.338"	25.19"	5.984"	22,486	48,200	1400	650
PHB25-A15	7.677"	9.055"	.669"	1.338"	25.19"	5.984"	22,486	48,200	1400	650
PHB32-A11	7.952"	9.055"	.787"	1.574"	31.49"	7.086"	22,486	48,200	1000	772
PHB32-A15	8.071"	9.055"	.787"	1.574"	31.49"	7.086"	22,486	48,200	1000	772
PHB32-A20	8.268"	9.055"	.787"	1.574"	31.49"	7.086"	22,486	48,200	1000	772

Dimensional Data (in inch)

MODEL	PHB-20	PHB-24	PHB-25	PHB-32
A	19.68	24.01	25.19	31.49
Bf	14.96	20.47	20.47	20.47
C	13.00	18.25	18.25	18.25
Ca	-	-	-	-
D	.945	.945	.945	.945
E	7.677	9.055	10.236	10.236
F	M180x3	M215x3	M240x3	M240x3
Hf	5.000	5.905	5.905	6.299
K	6.693	8.070	9.055	9.055
L	3.504	3.504	3.504	3.504
L1	M10	M10	M10	M10
M1	7.480	8.661	9.842	9.842
R1	10.000	12.086	12.677	15.354
U	.225	.334	.334	.393
W	.984	1.181	1.181	1.181
X	.315	.393	.393	.393
Yf	.236	.236	.236	.236
Z	1.514/0	1.338/0	1.338/0	1.732/.157
d	3x60°	3x60°	3x60°	3x60°
e	4.685	5.982	5.982	8.661
f	.512	.354	.354	.354
g	.137	.137	.137	.137
i	2.440	2.952	2.952	2.952
k1	.630	.630	.630	.630
l	.393	.197	.197	.197
l1	1.496	1.496	1.496	1.496
l2	4.055/2.125	4.803/2.125	4.803/2.125	7.480/2.125
m	M20	M20	M20	M20
n	1.004	1.004	1.004	1.004
p	6.259	7.874	7.874	-
p1	-	2.362	2.362	-
q	3.937	3.937	3.937	3.937
r	M12	M12	M12	-
s	.787	.787	.787	.866

Power Chucks

HOW TO ORDER: State quantity, Model Number of chuck and shipping instructions.