



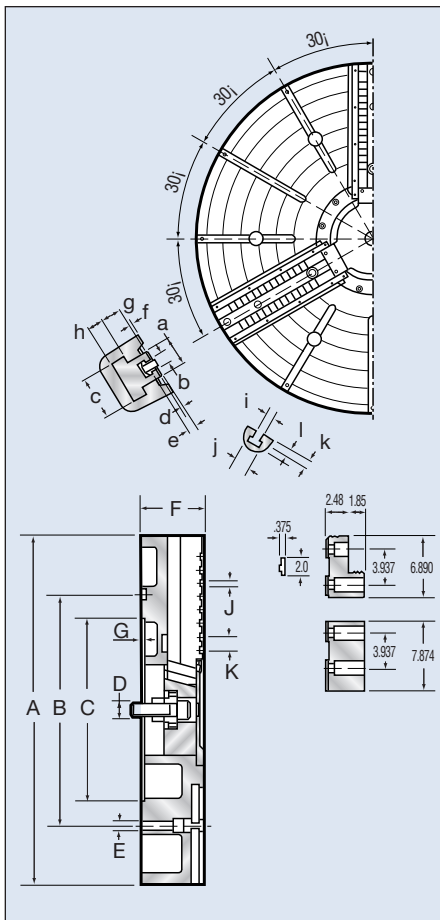
Atlas Workholding Large Dia. 3 Jaw Power Chuck

HP-D 40" - 63" Closed Center Chucks

- ⊕ Closed center VTL style power chucks
- ⊕ Parallel T-slots in chuck face for optional boring mill jaws
- ⊕ Also available in 4 jaw and 6 jaw designs or with adjustable master jaw feature
- ⊕ Built to order, consult factory for further information

Power Chucks

| Model No. | Stroke Per Jaw | Sleeve Stroke | Draw Bar Pull lb/f | Grip Force lb/f | Max RPM | Wt lbs |
|-----------|----------------|---------------|--------------------|-----------------|---------|--------|
| HP-D1000 | .591" | 2.244" | 40,500 | 90,000 | 630 | 1328 |
| HP-D1250 | .591" | 2.244" | 40,500 | 90,000 | 500 | 1764 |
| HP-D1400 | .591" | 2.244" | 40,500 | 90,000 | 450 | 2425 |
| HP-D1600 | .945" | 2.244" | 45,000 | 81,000 | 400 | 3527 |



Dimensional Data (in inch)

| MODEL | HP-D1000 | HP-D1250 | HP-D1400 | HP-D1600 |
|-------|----------|----------|----------|----------|
| A | 39.37 | 49.21 | 55.9 | 63 |
| B | 25.984 | 25.984 | 33.858 | 33.858 |
| C | 20.472 | 20.472 | 28.346 | 28.346 |
| D | M36 | M36 | M36 | M36 |
| E | 1.024 | 1.024 | 1.024 | 1.024 |
| F | 7.087 | 7.087 | 7.795 | 8.661 |
| G | .315 | .315 | .315 | .315 |
| J | .749 | .749 | .749 | .749 |
| K | 1.50 | 1.50 | 1.50 | 1.50 |
| a | 3.346 | 3.346 | 3.346 | 4.331 |
| b | 1.181 | 1.181 | 1.181 | 1.181 |
| c | 4.921 | 4.921 | 4.921 | 4.921 |
| d | .236 | .236 | .236 | .236 |
| e | 1.024 | 1.024 | 1.024 | 1.024 |
| f | .157 | .157 | .157 | .157 |
| g | 2.559 | 2.559 | 2.559 | 2.559 |
| h | 1.575 | 1.575 | 1.575 | 1.575 |
| i | .866 | .866 | .866 | .866 |
| j | 1.457 | 1.457 | 1.457 | 1.457 |
| k | 1.496 | 1.496 | 1.496 | 1.496 |
| l | .866 | .866 | .866 | .866 |

HOW TO ORDER: State quantity, Model Number of chuck and shipping instructions.