



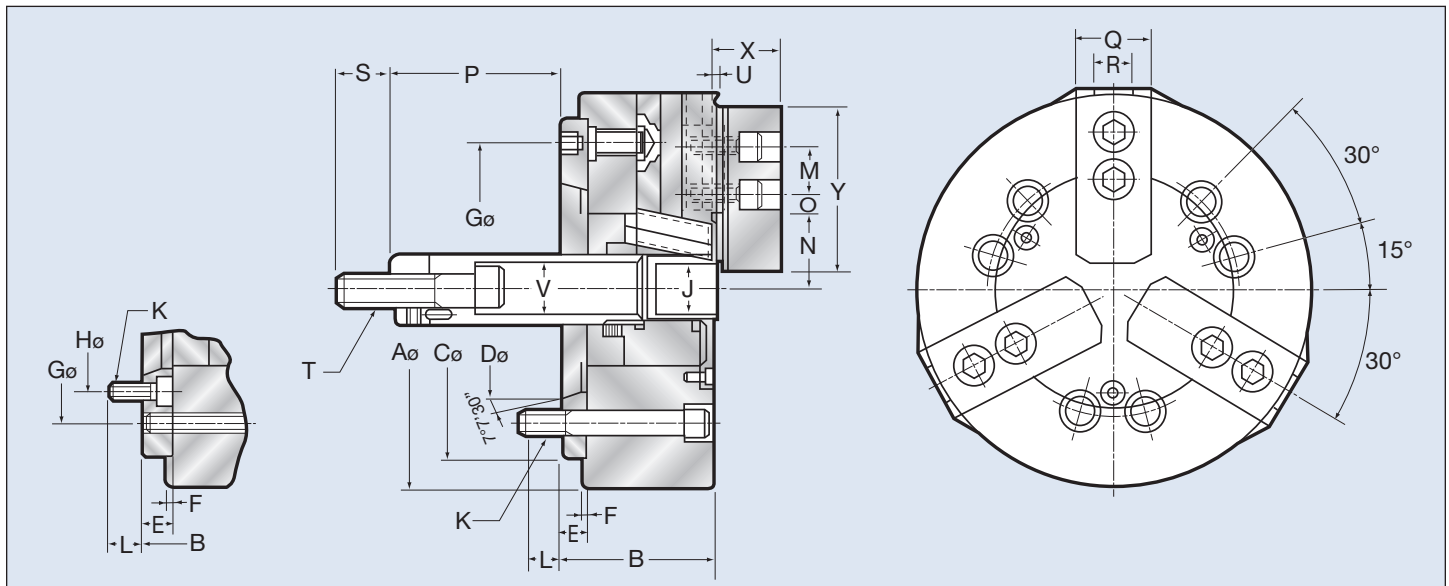
Atlas Workholding 3 Jaw Closed Center Chuck with A Mountings

ACA 6" - 24" Chucks

- ⊕ All steel body
- ⊕ Repeatability .001
- ⊕ 1.5mm x 60° master jaws up to 18"
- ⊕ 3mm x 60° on sizes 21" and 24", for larger sizes ref. page 53
- ⊕ Hardened jaw ways, master jaws and internal parts

Power Chucks

Model No.	Mount	Jaw Stroke Dia	Sleeve Stroke	Gripping Capacity		Draw Bar Pull lb/f	Grip Force lb/f	Max RPM	Wt lbs
				Max	Min				
ACA6-A5	A2-5	.334"	.787	6.496"	.784"	4,025	11,801	5270	31
ACA8-A6	A2-6	.346"	.827"	8.267"	.905"	5,619	16,860	4760	60
ACA10-A6	A2-6	.346"	.984"	10.000"	.945"	6,519	24,279	4010	88
ACA10-A8	A2-8	.346"	.984"	10.000"	.945"	6,519	24,279	4010	88
ACA12-A6	A2-6	.413"	1.181"	11.968"	1.023"	9,217	35,068	3380	148
ACA12-A8	A2-8	.413"	1.181"	11.968"	1.023"	9,217	35,068	3380	146
ACA15-A8	A2-8	.630"	1.378"	15.000"	2.795"	18,434	55,976	3040	231
ACA15-A11	A2-11	.630"	1.378"	15.000"	2.795"	18,434	55,976	3040	227
ACA18-A8	A2-8	.630"	1.378"	17.716"	5.296"	18,434	55,976	2710	295
ACA18-A11	A2-11	.630"	1.378"	17.716"	5.296"	18,434	55,976	2710	289
ACA21-A8	A2-8	.630"	1.378"	20.866"	2.441"	18,434	61,371	1940	443
ACA21-A11	A2-11	.630"	1.378"	20.866"	2.441"	18,434	61,371	1940	436
ACA21-A15	A2-15	.630"	1.378"	20.866"	2.441"	18,434	61,371	1940	419
ACA24-A11	A2-11	.630"	1.378"	24.015"	5.984"	18,434	61,371	1760	531
ACA24-A15	A2-15	.630"	1.378"	24.015"	5.984"	18,434	61,371	1760	516



HOW TO ORDER: State quantity, Model Number of chuck and shipping instructions.

ACA Series Dimensional Data (in inch)

	ACA6-A5 (I)	ACA8-A6 (I)	ACA10-A6 (I)	ACA10-A8 (I)	ACA12-A6 (I)	ACA12-A8 (I)	ACA15-A8 (I)	ACA15-A11 (I)	ACA18-A8 (I)	ACA18-A11 (I)	ACA21-A8 (I)	ACA21-A11 (I)	ACA21-A15 (D)	ACA24-A11 (I)	ACA24-A15 (D)	
A	6.49	8.28	10.00	10.00	11.97	11.97	15.00	15.00	17.72	17.72	20.87	20.87	20.87	24.02	24.87	
B	3.31	3.89	4.09	4.01	4.72	4.64	5.19	5.19	5.19	5.19	5.75	5.75	5.75	5.75	5.75	
C	5.51	6.69	8.66	8.66	8.66	8.66	11.81	11.81	11.81	11.81	14.96	14.96	14.96	14.96	14.96	
D	3.251	4.188	41.88	5.501	4.188	5.501	5.501	7.751	5.501	7.751	5.501	7.751	11.251	7.751	11.251	
E	.591	.669	.787	.709	.787	.709	.866	.866	.866	.866	1.063	1.063	1.063	1.063	1.063	
F	.197	.197	.197	.197	.236	.236	.236	.236	.236	.236	.236	.236	.236	.236	.236	
G	4.567	5.906	6.748	7.480	6.748	7.480	9.252	10.236	9.252	10.236	13.000	13.000	13.000	13.000	13.000	
H	4.126	5.256	5.256	6.748	5.256	6.748	6.748	9.252	6.748	9.252	6.748	9.252	13.000	9.252	13.000	
J	.826	.948	1.338	1.338	1.338	1.338	-	-	-	-	-	-	-	-	-	
K	6-M10	6-M12	6-M12	6-M16	6-M12	6-M16	6-M16	6-M20	6-M16	6-M20	6-M16	6-M20	6-M22	6-M20	6-M22	
L	.551	.708	.708	.984	.708	.984	.905	.130	.905	.130	.905	1.103	1.338	1.102	1.338	
M	.787	.984	1.181	1.181	1.181	1.181	1.693	1.693	1.693	1.693	2.362	2.362	2.362	2.362	2.362	
N	max.	1.488	1.823	2.012	2.012	2.401	2.401	3.051	3.051	4.252	4.252	3.386	3.386	3.386	4.921	4.921
	min.	1.319	1.649	1.838	1.838	2.195	2.195	2.736	2.736	3.937	3.937	3.071	3.071	3.071	4.606	4.606
O	max.	.541	.876	1.210	1.210	1.919	1.919	1.919	1.919	1.919	3.381	3.381	3.381	3.381	3.381	
	min.	.305	.463	.443	.443	.492	.492	.915	.915	.915	1.082	1.082	1.082	1.082	1.082	
P	max.	3.327	3.700	3.897	3.976	4.645	4.724	3.228	3.228	2.756	2.756	2.756	2.756	2.756	2.756	
	min.	2.539	2.874	2.913	2.992	3.504	3.543	1.850	1.850	1.378	1.378	1.378	1.378	1.378	1.378	
Q	1.220	1.378	1.575	1.575	1.968	1.968	1.968	1.968	1.968	1.968	2.559	2.559	2.559	2.559	2.559	
R ^{Jaw Slot}	.422	.551	.630	.630	.708	.708	1.004	1.004	1.004	1.004	.984	.984	.984	.984	.984	
S	1.417	1.417	1.417	1.417	1.417	1.417	2.165	2.165	2.165	2.165	2.165	2.165	2.165	2.165	2.165	
T	M16x2.0	M20x2.5	M20x2.5	M20x2.5	M24x3.0	M24x3.0	M30x3.5	M30x3.5	M30x3.5	M30x3.5	M30x3.5	M30x3.5	M30x3.5	M30x3.5	M30x3.5	
U	.157	.197	.197	.197	.197	.197	.079	.079	.079	.079	.118	.118	.118	.118	.118	
V	1.338	1.496	1.771	1.771	1.968	1.968	2.362	2.362	2.362	2.362	2.362	2.362	2.362	2.362	2.362	
X	1.378	1.653	1.811	1.811	2.126	2.126	2.401	2.401	2.401	2.401	2.795	2.795	2.795	2.795	2.795	
Z	2.834	3.740	4.331	4.331	5.078	5.078	5.315	5.315	5.315	5.315	7.086	7.086	7.086	7.086	7.086	

(I) Indirect mount (D) Direct mount