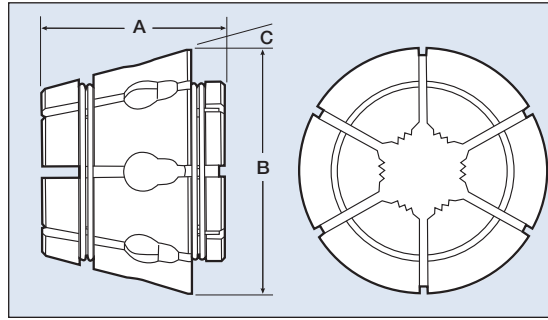


Crawford Heavy Duty Multibore Collets



Dimensions

Part No.	A	B	C
W-850	2.04"	2.76"	15°
V-120	2.47"	3.46"	15°
T-285	2.88"	3.91"	15°
N-175	3.15"	4.72"	15°

U.S. Trade Mark 2,898,519

Grip Range		W-850 Heavy Duty		V-120 Heavy Duty	
Inch	MM	Round/Hex	Square	Round/Hex	Square
.23 - .35	6 - 9	W850HD 5-9mm	W850HD-S 6-9mm	V120HD 6-9mm	V120HD-S 6-9mm
.35 - .47	9 - 12	W850HD 9-12mm	W850HD-S 9-12mm	V120HD 9-12mm	V120HD-S 9-12mm
.47 - .59	12 - 15	W850HD 12-15mm	W850HD-S 12-15mm	V120HD 12-15mm	V120HD-S 12-15mm
.59 - .70	15 - 18	W850HD 15-18mm	W850HD-S 15-18mm	V120HD 15-18mm	V120HD-S 15-18mm
.70 - .82	18 - 21	W850HD 18-21mm	W850HD-S 18-21mm	V120HD 18-21mm	V120HD-S 18-21mm
.82 - .94	21 - 24	W850HD 21-24mm	W850HD-S 21-24mm	V120HD 21-24mm	V120HD-S 21-24mm
.94 - 1.06	24 - 27	W850HD 24-27mm	W850HD-S 24-27mm	V120HD 24-27mm	V120HD-S 24-27mm
1.06 - 1.18	27 - 30	W850HD 27-30mm	W850HD-S 27-30mm	V120HD 27-30mm	V120HD-S 27-30mm
1.18 - 1.30	30 - 33	W850HD 30-33mm	-	V120HD 30-33mm	V120HD-S 30-33mm
1.30 - 1.41	33 - 36	W850HD 33-36mm	-	V120HD 33-36mm	V120HD-S 33-36mm
1.41 - 1.53	36 - 39	W850HD 36-39mm*	-	V120HD 36-39mm	V120HD-S 36-39mm
1.53 - 1.65	39 - 42	W850HD 39-42mm*	-	V120HD 39-42mm	-
1.65 - 1.77	42 - 45	-	-	V120HD 42-45mm	-
1.77 - 1.89	45 - 48	-	-	V120HD 45-48mm	-
1.89 - 2.00	48 - 51	-	-	V120HD 48-51mm	-
2.00 - 2.12	51 - 54	-	-	V120HD 51-54mm*	-

*Round only

Grip Range		T-285 Heavy Duty		N-175 Heavy Duty	
Inch	MM	Round/Hex	Square	Round/Hex	Square
.47 - .59	12 - 15	T285HD 12-15mm	T285HD-S 12-15mm	N175HD 12-15mm	N175HD-S 12-15mm
.59 - .70	15 - 18	T285HD 15-18mm	T285HD-S 15-18mm	N175HD 15-18mm	N175HD-S 15-18mm
.70 - .82	18 - 21	T285HD 18-21mm	T285HD-S 18-21mm	N175HD 18-21mm	N175HD-S 18-21mm
.82 - .94	21 - 24	T285HD 21-24mm	T285HD-S 21-24mm	N175HD 21-24mm	N175HD-S 21-24mm
.94 - 1.06	24 - 27	T285HD 24-27mm	T285HD-S 24-27mm	N175HD 24-27mm	N175HD-S 24-27mm
1.06 - 1.18	27 - 30	T285HD 27-30mm	T285HD-S 27-30mm	N175HD 27-30mm	N175HD-S 27-30mm
1.18 - 1.30	30 - 33	T285HD 30-33mm	T285HD-S 30-33mm	N175HD 30-33mm	N175HD-S 30-33mm
1.30 - 1.41	33 - 36	T285HD 33-36mm	T285HD-S 33-36mm	N175HD 33-36mm	N175HD-S 33-36mm
1.41 - 1.53	36 - 39	T285HD 36-39mm	T285HD-S 36-39mm	N175HD 36-39mm	N175HD-S 36-39mm
1.53 - 1.65	39 - 42	T285HD 39-42mm	T285HD-S 39-42mm	N175HD 39-42mm	N175HD-S 39-42mm
1.65 - 1.77	42 - 45	T285HD 42-45mm	T285HD-S 42-45mm	N175HD 42-45mm	N175HD-S 42-45mm
1.77 - 1.89	45 - 48	T285HD 45-48mm	-	N175HD 45-48mm	N175HD-S 45-48mm
1.89 - 2.00	48 - 51	T285HD 48-51mm	-	N175HD 48-51mm	N175HD-S 48-51mm
2.00 - 2.12	51 - 54	T285HD 51-54mm	-	N175HD 51-54mm	N175HD-S 51-54mm
2.12 - 2.24	54 - 57	T285HD 54-57mm	-	N175HD 54-57mm	-
2.24 - 2.36	57 - 60	T285HD 57-60mm	-	N175HD 57-60mm	-
2.36 - 2.46	60 - 63	T285HD 60-63mm*	-	N175HD 60-63mm	-
2.46 - 2.59	63 - 66	-	-	N175HD 63-66mm	-
2.59 - 2.71	66 - 69	-	-	N175HD 66-69mm	-
2.71 - 2.83	69 - 72	-	-	N175HD 69-72mm*	-
2.71 - 2.83	72 - 75	-	-	N175HD 72-75mm*	-
2.83 - 3.07	75 - 78	-	-	N175HD 75-78mm*	-

*Round only

See page 126 for Accuracy Chart