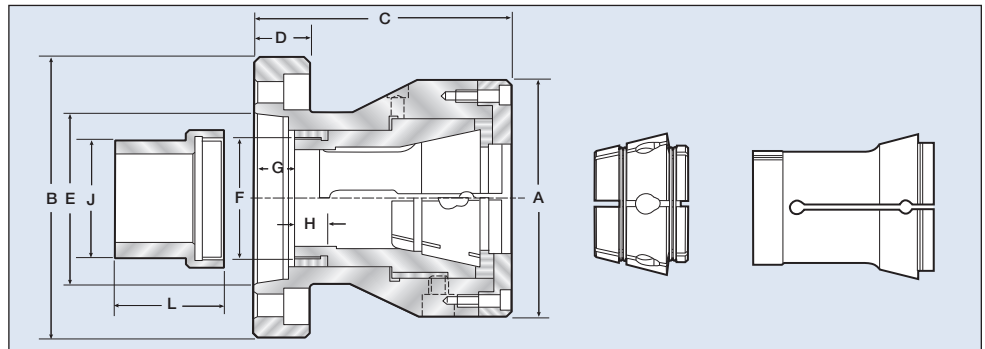




Crawford CDC Standard Length Collet Chucks

For DIN type Multi-Bore Collets or B type Spring Collets

- ⌚ Ideal for bar work or for second operation work.
- ⌚ Dead Length Operation
- ⌚ Large Capacity- CDC Chucks maximum round 2.625"
- ⌚ CDC Standard Length Chucks use DIN type Multi-Bore Collets for a powerful parallel grip over a wide diameter range. When gripping short components or where marking of a finished diameter is to be avoided use the B type Spring Collet or a fixed bore size Collet.
- ⌚ Collets are available for Round, Hex or Square parts.
- ⌚ Accurate-.0002" TIR from rear mounting register and working collet taper.
- ⌚ Repeatability .0002" on duplicate parts.
- ⌚ 1 Year Warranty
- ⌚ Available in A type and DIN 55026 mountings



CDC Series for Multibore Crawford DIN Standard type Collets

Chuck Type	CDC-42	CDC-42	CDC-60	CDC-60	CDC-80
Mount	A2-5	A2-6	A2-6	A2-8	A2-8
Maximum RPM	6000	6000	5000	4500	4000
Multibore Collet	M-673	M-673	M-677	M-677	J-660
Capacity Round (mm/in)	42/1.65	42/1.65	60/2.36	60/2.36	80/3.14
Capacity Hex (mm/in)	36/1.41	36/1.41	52/2.04	52/2.04	68/2.67
Capacity Square (mm/in)	30/1.18	30/1.14	42/1.65	42/1.65	56//2.20
Spring Collet	B42-4728	B42-4728	B60-4291	B60-4291	B80-H-47
Capacity Round (mm/in)	42.5/1.625	42.5/1.625	60.5/2.312	60.5/2.312	80/3.15
Capacity Hex (mm/in)	38/1.50	38/1.50	52.5/2	52.5/2	69/2.71
Capacity Square (mm/in)	30/1.18	30/1.18	42.5/1.625	42.5/1.625	56/2.20
A (mm/in)	116/4.57	116/4.57	142/5.59	142/5.59	210/8.66
B (mm/in)	135/5.31	170/6.69	170/6.69	220/8.66	220/8.66
C (mm/in)	118.5/4.67	118.5/4.67	146.5/5.77	146.5/5.77	198.5/7.81
D (mm/in)	25/.98	25/.98	30/1.18	30/1.18	30/1.18
E (mm/in)	82.575/3.251	106.39/4.188	106.39/4.188	139.735/5.501	139.735/5.501
F	M58 x 1.5	M58 x 1.5	M76 x 1.5	M76 x 1.5	M100 x 2.0
G (mm/in)	19/.75 - 28/1.1	19/.75 - 29/1.14	24/.94 - 34/1.39	24/.94 - 34/1.39	46/1.81 - 58/2.28
H (mm/in)	15/.59	15/.59	15/.59	15/.59	58/2.28
J (mm/in)	65/2.56	65/2.56	83/3.27	83/3.27	106/4.17
L (mm/in)	80/3.15	80/3.15	80/3.15	80/3.15	110/4.33
Drawbar Force (lb/f)	5,390	5,390	8,530	8,530	9,885
Clamping Force (lb/f)	13,200	13,200	22,100	22,100	25,700
Aprox. Chuck Weight	28 lbs	28 lbs	39 lbs	39 lbs	54 lbs
Chuck Order No.	J-495	J-496	J-475	J-498	G- 834