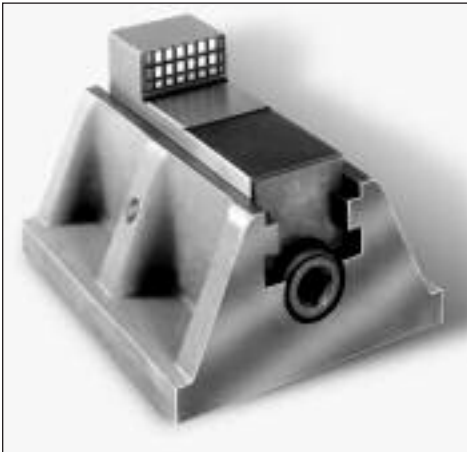




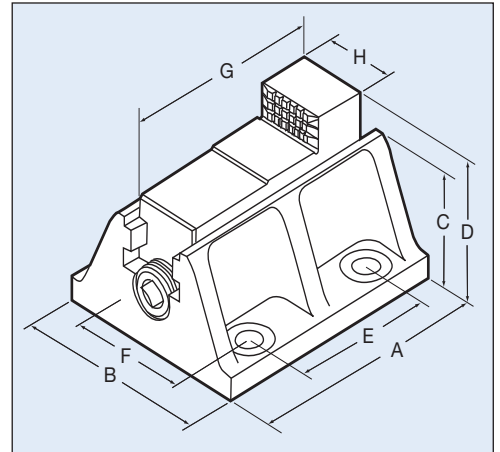
Atlas Workholding Boring Mill Jaws for Parallel Tee-slot and Face Plate Jaws for Radial Tee-slot

- ⚙️ One year warranty
- ⚙️ Heavy Duty

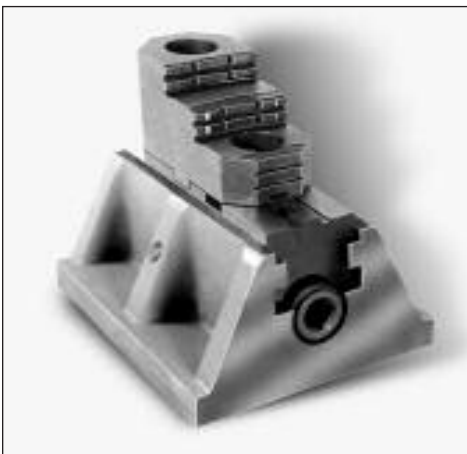
One Piece Boring Mill Jaw for Parallel Tee Slots



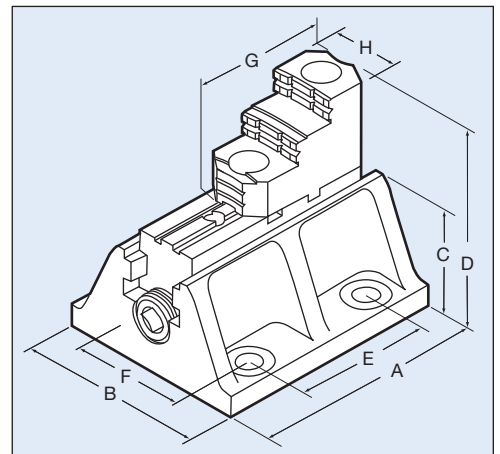
Model	1BL0000200	1BL0000300	1BL0000400
A	8.26"	8.26"	12.00"
B	6.77"	6.77"	8.66"
C	3.86"	3.86"	4.66"
D	5.47"	5.47"	6.30"
E	4.92"	4.92"	7.00"
F	4.92"	4.92"	6.00"
G	7.09"	7.09"	8.00"
H	1.97"	2.36"	2.95"



Boring Mill with 2 piece Jaw for Parallel Tee Slots



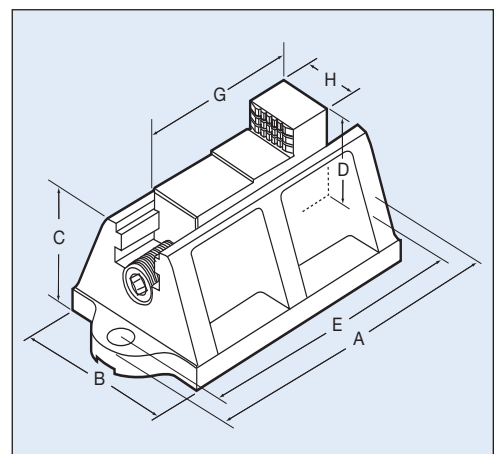
Model	1BL0100200	1BL0100300	1BL0100400
A	8.26"	8.26"	12.00"
B	6.77"	6.77"	8.66"
C	3.86"	3.86"	4.66"
D	7.10"	7.10"	8.40"
E	4.92"	4.92"	7.00"
F	4.92"	4.92"	6.00"
G	5.00"	5.00"	5.00"
H	1.97"	2.36"	2.95"



Face Plate Jaw for Radial Tee Slots



Model	1BL0000500	1BL0000600
A	10.91"	14.17"
B	6.69"	6.69"
C	3.54"	3.65"
D	5.31"	6.26"
E	9.06"	12.40"
G	4.92"	7.09"
H	1.38"	2.36"



HOW TO ORDER: State quantity, model number and shipping instructions.