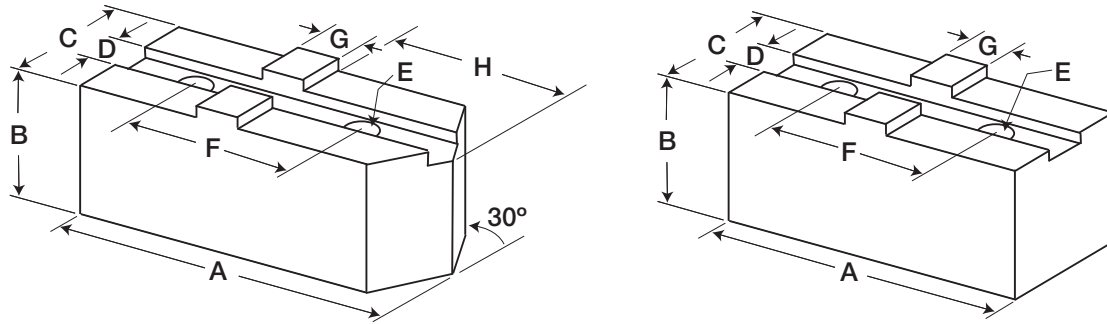




Atlas Workholding Tongue and Groove Soft Blank Top Jaws

For: Pratt Burnerd, Buck, Cushman, Forkhart, Rohm, SCA and others



Soft Jaws, Medium Duty

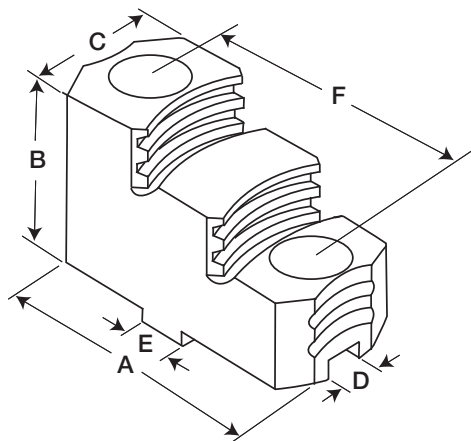
Chuck Size	Part Number	Length A	Height B	Width C	L/Wise Slot D	Bolt Size E	Bolt Spacing F	Cross Key G	Offset Pointed Part Number	Offset Pointed A	H	Extra High Part Number	Extra High B
5"	2210-13609	2.18"	1.37"	.75"	.25"	5/16"	.87"	.375"	N/A	--		N/A	--
6"	2210-17609	2.81"	1.37"	1.0"	.31"	3/8"	1.5"	.501"	2210-17609OP	3.25"	1.81"	2210-17609EH	3.5"
8"	2210-20609	3.31"	1.87"	1.25"	.31"	3/8"	1.75"	.501"	2210-20609OP	3.75"	2.18"	2210-20609EH	3.5"
10"	2210-25609	3.93"	1.87"	1.5"	.5"	1/2"	2.12"	.749"	2210-25609OP	4.62"	2.62"	2210-25609EH	3.5"
12"	2210-32609	4.5"	2.125"	1.75"	.5"	1/2"	2.5"	.749"	2210-32609OP	5.37"	3.12"	2210-32609EH	4.0"
15"	2210-38609	5.18"	2.125"	1.75"	.5"	5/8"	3.0"	.749"	2210-38609OP	6.25"	3.62"	2210-38609EH	3.81"
18"& Up*	2980-38509	5.18"	2.81"	2.25"	.5"	3/4"	3.0"	.749"	2980-38509OP	6.37"	3.75"	2980-38509EH	3.81"

Standard length jaws have centered cross key

Soft Jaws, Heavy Duty

Chuck Size	Part Number	Length A	Height B	Width C	L/Wise Slot D	Bolt Size E	Bolt Spacing F	Cross Key G	Offset Pointed Part Number	Offset Pointed A Length	H	Extra High Part Number	Extra High B Height
6"	2770-17509	2.81"	1.37"	1.0"	.31"	7/16"	1.5"	.501"	2770-17509OP	3.25"	1.81"	2770-17509EH	3.5"
8"	8130-21509	3.31"	1.87"	1.25"	.31"	1/2"	1.75"	.501"	8130-21509OP	3.75"	2.18"	8130-20609EH	3.5"
10"	2770-26509	3.93"	1.87"	1.5"	.5"	5/8"	2.12"	.749"	2770-26509OP	4.62"	2.62"	2770-26509EH	3.5"
12"	2770-32509	4.5"	2.125"	1.75"	.5"	5/8"	2.5"	.749"	2770-32509OP	5.37"	3.12"	2770-32509EH	4.0"
15"	2980-38509	5.18"	2.81"	2.25"	.5"	3/4"	3.0"	.749"	2980-38509OP	6.37"	3.75"	2980-38509EH	3.81"

Standard length jaws have centered cross key



Hard Top Jaws - Medium Duty

Chuck Size	Part Number	Length A	Height B	Width C	L/Wise Slot D	Cross Key E	Bolt Spacing F	Bolt Size
6"	8210-17608	2.63"	1.63"	.98"	.313"	.5"	1.5"	3/8"
8"	8210-20608	3.34"	1.71"	1.06"	.313"	.5"	1.75"	3/8"
10"	8210-25608	3.74"	2.03"	1.28"	.5"	.75"	2.12"	1/2"
12"	8210-32608	4.33"	2.17"	1.45"	.5"	.75"	2.5"	1/2"
15"*	8210-38608	5.06"	2.68"	1.68"	.5"	.75"	3"	5/8"
18"& Up*	2980-38608	5.06"	2.93"	1.65"	.5"	.75"	3"	3/4"