



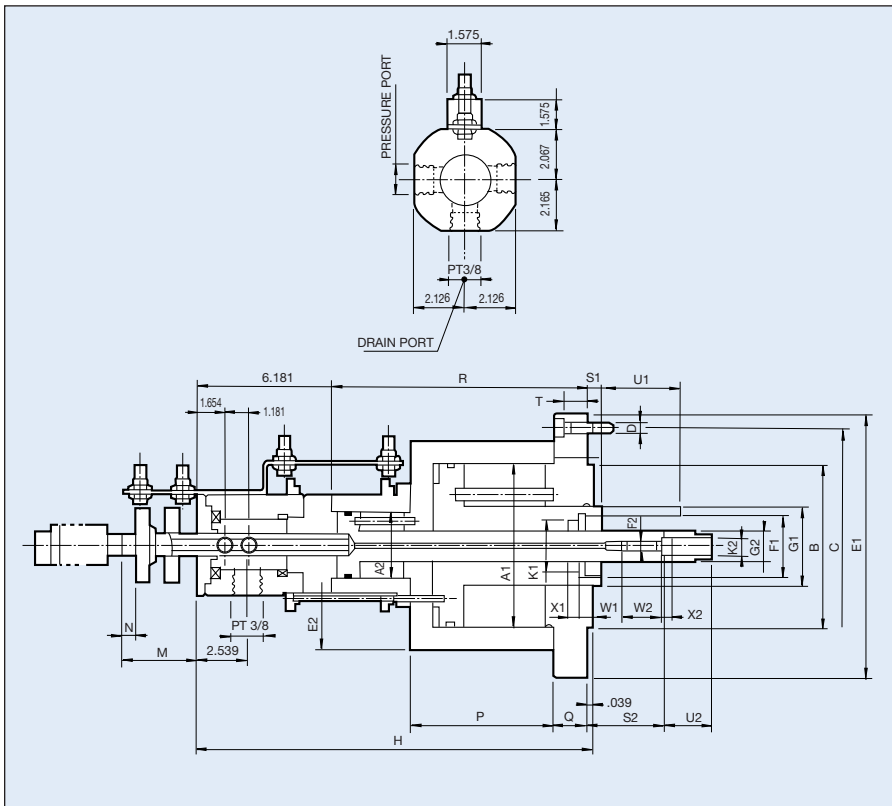
Atlas Workholding Closed Center Rotating Hydraulic Double Cylinder

RCD With Stroke Control

- ⊗ Special double acting cylinder has two separate piston actuations
- ⊗ Available with stroke control
- ⊗ Can be used vertically or horizontally
- ⊗ Optional add rotary union to for air sensing, air blow or coolant

Model No.	Piston Area (Sq. in.)		Max Piston Stroke	Max Speed RPM	Pressure PSI	Wt lbs
	Piston 1	Piston2				
RCD1370	17.52/19.38	4.96/5.58	2.756/.787"	5000	735	66
RCD1770	29.14/34.10	4.96/5.58	3.223/.787"	4000	735	110

Dimensional Data



Model	RCD1370	RCD1770
A1	5.118"	6.693"
A2	2.756"	2.756"
B	5.118"	6.693"
C	7.480"	9.252"
D	6-M12"	6-M16
E1	8.465"	10.630"
E2	6.693"	8.268"
F1	M42xP1.5	M42xP1.5
F2	M16	M16
G1	1.969"	2.756"
G2	1.102"	1.102"
H	15.039"	15.906"
I	.197"	.197"
K1	1.102"	1.969"
K2	.708"	.708"
M	2.559"	2.559"
N	.591"	.591"
P	5.197"	5.748"
Q	1.024"	1.339"
R	8.661"	9.528"
S1(min)	.394"	.394"
S2(min)	3.701"	2.835"
T	.551"	.709"
U1	2.756"	3.228"
U2	.787"	.787"
W1	.709"	.787"
W2	.984"	.984"
X1	.472"	.472"
X2	.472"	.472"

Cylinders

HOW TO ORDER: State quantity, Model Number of chuck and shipping instructions.