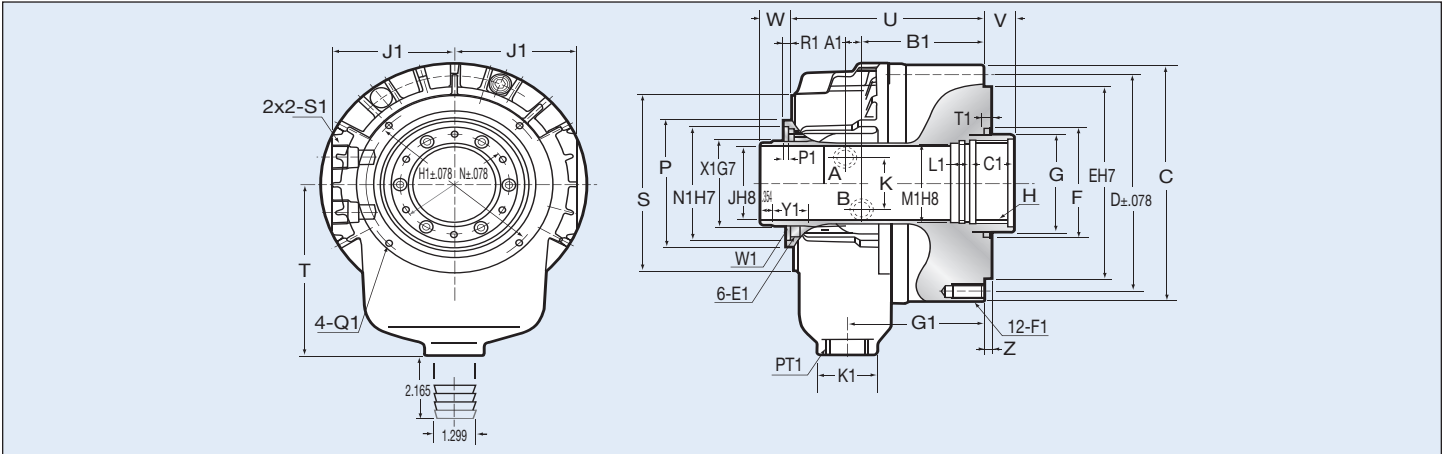




Atlas Workholding Super High Speed Open Center Hydraulic Cylinder

- ⚙ High RPM
- ⚙ Large thru-hole, up to 4.62"
- ⚙ Coolant catcher standard
- ⚙ Safety check valves built-in



	Model		ASH13046	ASH15052	ASH17068	ASH18077	ASH25011
A	Cylinder dia	mm/in	135/5.31	156/6.14	170/6.69	185/7.28	255/10.04
B	Stroke	mm/in	15/.590	22/.866	25/.984	25/.984	50/1.968
C		mm/in	165/6.49	190/7.48	210/8.26	218/5.58	310/12.20
D		mm/in	130/5.12	170/6.69	190/7.48	215/8.46	275/10.83
E		mm/in	100/3.94	130/5.12	160/6.30	160/6.30	230/9.05
F		mm/in	80/6.53	85/3.34	120/4.72	120/4.72	166/6.53
G		mm/in	65/2.56	70/2.75	85/3.34	95/3.74	145/5.51
H			M52x2	M60x2	M75x2	M85x2	M130x2
J	Thru-hole	mm/in	46/1.81	52/2.04	68/2.68	77/3.03	117.5/4.62
K		mm/in	40/1.57	40/1.57	48/1.89	48/1.89	46/1.81
N		mm/in	64/2.52	73/2.87	88/3.46	108/4.25	138/5.43
P		mm/in	85/3.34	96/3.78	111/4.37	121/4.76	170/6.69
S		mm/in	116/4.56	135/5.31	154/6.06	164/6.45	230/9.05
T		mm/in	120/4.72	130/5.19	150/5.96	165/6.49	215/8.46
U		mm/in	142/5.59	138/5.43	155/6.10	167/6.57	258/10.15
V	Max	mm/in	15/.59	22/.86	25/.98	25/.98	46/1.81
	Min	mm/in	0	0	0	0	-4/- .16
W	Max	mm/in	40/1.57	47/1.85	50/1.97	50/1.97	75/2.95
	Min	mm/in	25/.98	25/.98	25/.98	25/.98	25/.98
Z		mm/in	5/.19	5/.19	5/.19	5/.19	6/.23
A1		mm/in	8.5/.33	9.0/.35	10/.39	10/.39	19/.75
B1		mm/in	103/4.05	97.5/3.84	108/4.25	119.5/4.70	176.5/6.95
C1		mm/in	30/1.18	30/1.18	35/1.34	35/1.34	45/1.77
E1			M6	M6	M6	M6	M6
F1			M10x20	M10x20	M10x20	M10x20	M10x32
G1		mm/in	111/4.37	101/3.97	113/4.45	125/4.92	190.5/7.50
H1		mm/in	98/3.85	110/4.33	145/3.19	155/6.10	206/8.11
J1		mm/in	82/3.29	92/3.62	97/3.82	102/4.01	140/5.51
K1		mm/in	47/1.85	47/1.85	47/1.85	47/1.85	47/1.85
L1		mm/in	15/.59	15/.59	15/.59	15/.59	20/.79
M1		mm/in	48/1.90	55/2.16	70/2.75	80/3.15	123/4.84
N1		mm/in	76/2.99	85/3.34	100/3.98	108/4.25	150/5.90
P1		mm/in	4/.15	4/.15	4/.15	4/.15	5.5/.21
Q1			M5x6	M6x7	M6x10	M6x10	M6x12
R1		mm/in	6/.23	7/.27	7/.27	7/.27	7.5/.29
S1			PT1/2	PT1/2	PT1/2	PT1/2	PT1/2
T1		mm/in	6/.23	5/.19	5/.19	5/.19	6/.23
W1			M52x1.5	M58x1.5	M74x1.5	M84x2	M12x2
X1		mm/in	50/1.97	56/2.20	71.5/2.81	81/3.19	121.5/4.78
Y1		mm/in	24/.94	20/.79	26/1.02	26/1.02	29/1.14
	Piston force push	lbf	10,610	14,680	15,983	19,345	33,408
	Piston force pull	lbf	9,589	13,702	14,843	17,965	31,146
	Max. operating pressure	PSI	494	494	494	494	494
	Max. rpm		7000	6200	5600	5000	2800
	Weight	lbs	22	31	37	40	89

Cylinders