



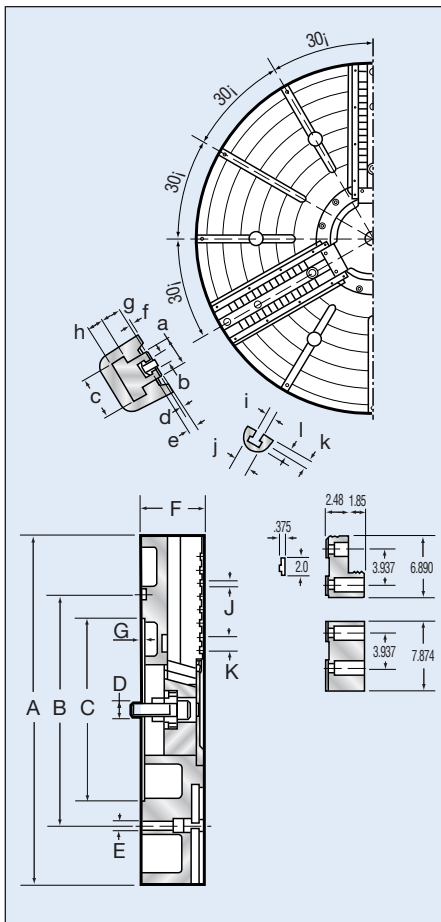
Atlas Workholding Large Dia. 3 Jaw Power Chuck

HP-D 40" - 63" Closed Center Chucks

- ⊕ Closed center VTL style power chucks
- ⊕ Parallel T-slots in chuck face for optional boring mill jaws
- ⊕ Also available in 4 jaw and 6 jaw designs or with adjustable master jaw feature
- ⊕ Built to order, consult factory for further information

Power Chucks

Model No.	Stroke Per Jaw	Sleeve Stroke	Draw Bar Pull lb/f	Grip Force lb/f	Max RPM	Wt lbs
HP-D1000	.591"	2.244"	40,500	90,000	630	1328
HP-D1250	.591"	2.244"	40,500	90,000	500	1764
HP-D1400	.591"	2.244"	40,500	90,000	450	2425
HP-D1600	.945"	2.244"	45,000	81,000	400	3527



Dimensional Data (in inch)

MODEL	HP-D1000	HP-D1250	HP-D1400	HP-D1600
A	39.37	49.21	55.9	63
B	25.984	25.984	33.858	33.858
C	20.472	20.472	28.346	28.346
D	M36	M36	M36	M36
E	1.024	1.024	1.024	1.024
F	7.087	7.087	7.795	8.661
G	.315	.315	.315	.315
J	.749	.749	.749	.749
K	1.50	1.50	1.50	1.50
a	3.346	3.346	3.346	4.331
b	1.181	1.181	1.181	1.181
c	4.921	4.921	4.921	4.921
d	.236	.236	.236	.236
e	1.024	1.024	1.024	1.024
f	.157	.157	.157	.157
g	2.559	2.559	2.559	2.559
h	1.575	1.575	1.575	1.575
i	.866	.866	.866	.866
j	1.457	1.457	1.457	1.457
k	1.496	1.496	1.496	1.496
l	.866	.866	.866	.866

HOW TO ORDER: State quantity, Model Number of chuck and shipping instructions.