



# Atlas Workhold 4 Jaw Universal Power Chuck

## 4ATL 8", 10" & 12" Chucks

- ⊕ All steel body
- ⊕ Hardened jaw way and internal parts
- ⊕ ± .0005 repeatability
- ⊕ 1.5mm x 60° master jaws
- ⊕ 4-Jaw universal design

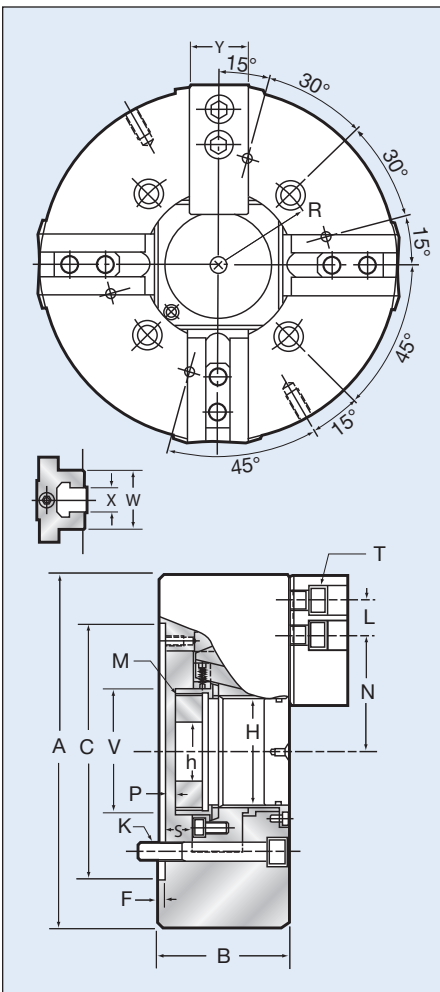
Power Chucks

Model No.	Jaw Stroke Dia	Sleeve Stroke	Gripping Capacity		Draw Bar Pull lb/f	Grip Force lb/f	Max RPM <sup>②</sup>	Wt lbs
			Max	Min <sup>①</sup>				
4ATL8-A5	.291"	.630"	8.00"	.905"	5,200	12,855	5000	50
4ATL8-A6	.291"	.630"	8.00"	.905"	5,200	12,855	5000	50
4ATL10-A6	.346"	.748"	10.00"	.945"	6,395	16,600	4200	76
4ATL10-A8	.346"	.748"	10.00"	.945"	6,395	16,600	4200	76
4ATL12-A6	.417"	.905"	12.00"	1.023"	8,235	21,535	3300	115
4ATL12-A8	.417"	.905"	12.00"	1.023"	8,235	21,535	3300	115
4ATL12-A11	.417"	.905"	12.00"	1.023"	8,235	21,535	3300	115

- ① Small diameters can be gripped using offset pointed jaws
- ② In balanced Condition

### Dimensional Data (in inch)

MODEL	4ALT-8	4ALT-10	4ALT-12
A	8.25	10	12
B	3.58	3.94	4.33
C	6.693	8.661	8.661
F	.197	.197	.236
H	2.05	3.03	3.58
K	M12	M16	M16
L	.984	1.18	1.18
M	M60 max	M85 max	M100 max
N max.	2.69	3.34	4.21
N min	1.95	2.40	2.82
P max.	.315	.315	.571
P min	-.06	-.06	-.06
R	2.625	3.375	3.375
S	.630	.748	.905
T	M12	M12	M16
V	4.25	3.70	2.60
W	1.45	1.65	2.05
X	.551	.630	.827
h	1.18	1.77	2.05
Y	1.38	1.57	1.97



**HOW TO ORDER:** State quantity, Model Number of chuck and shipping instructions.