



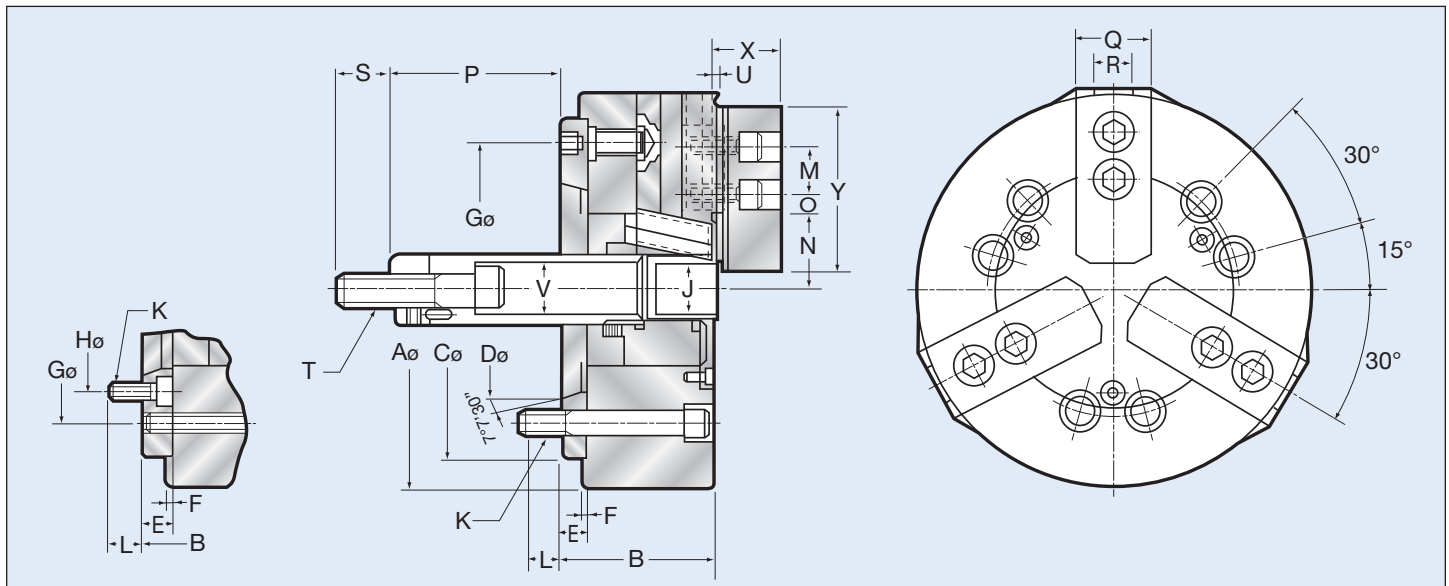
Atlas Workholding 3 Jaw Closed Center Chuck with A Mountings

ACA 6" - 24" Chucks

- ⊗ All steel body
- ⊗ Repeatability .001
- ⊗ 1.5mm x 60° master jaws up to 18"
- ⊗ 3mm x 60° on sizes 21" and 24", for larger sizes ref. page 53
- ⊗ Hardened jaw ways, master jaws and internal parts

Power Chucks

Model No.	Mount	Jaw Stroke Dia	Sleeve Stroke	Gripping Capacity		Draw Bar Pull lb/f	Grip Force lb/f	Max RPM	Wt lbs
				Max	Min				
ACA6-A5	A2-5	.334"	.787	6.496"	.784"	4,025	11,801	5270	31
ACA8-A6	A2-6	.346"	.827"	8.267"	.905"	5,619	16,860	4760	60
ACA10-A6	A2-6	.346"	.984"	10.000"	.945"	6,519	24,279	4010	88
ACA10-A8	A2-8	.346"	.984"	10.000"	.945"	6,519	24,279	4010	88
ACA12-A6	A2-6	.413"	1.181"	11.968"	1.023"	9,217	35,068	3380	148
ACA12-A8	A2-8	.413"	1.181"	11.968"	1.023"	9,217	35,068	3380	146
ACA15-A8	A2-8	.630"	1.378"	15.000"	2.795"	18,434	55,976	3040	231
ACA15-A11	A2-11	.630"	1.378"	15.000"	2.795"	18,434	55,976	3040	227
ACA18-A8	A2-8	.630"	1.378"	17.716"	5.296"	18,434	55,976	2710	295
ACA18-A11	A2-11	.630"	1.378"	17.716"	5.296"	18,434	55,976	2710	289
ACA21-A8	A2-8	.630"	1.378"	20.866"	2.441"	18,434	61,371	1940	443
ACA21-A11	A2-11	.630"	1.378"	20.866"	2.441"	18,434	61,371	1940	436
ACA21-A15	A2-15	.630"	1.378"	20.866"	2.441"	18,434	61,371	1940	419
ACA24-A11	A2-11	.630"	1.378"	24.015"	5.984"	18,434	61,371	1760	531
ACA24-A15	A2-15	.630"	1.378"	24.015"	5.984"	18,434	61,371	1760	516



HOW TO ORDER: State quantity, Model Number of chuck and shipping instructions.