

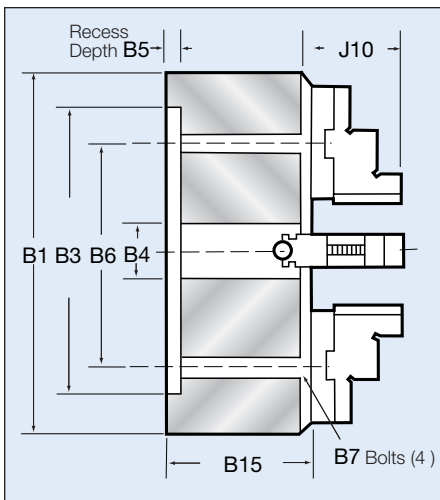


Atlas Workholding 4-Jaw Independent Steel Body Chucks

Series 432 Medium-Duty Sizes 16" thru 60"

- Ⓜ One year warranty
- Ⓜ Sizes 16" thru 36"
- Ⓜ Two-piece reversible American Standard tongue and groove jaws
- Ⓜ Hardened and ground operating screws
- Ⓜ Steel body
- Ⓜ T-slots standard
- Ⓜ Straight recess for adapter mounting
- Ⓜ **Larger chucks available up to 60" on request**

Manual Chucks with Mounting Plates



Chuck Size	Flatback Chuck No.	Camlock Type D Spindle Size	Chuck No.
16"	1643-2000	D-8	1643-2AD8
16"		D-11	1643-2AD11
18"	1843-2000	D-8	1843-2AD8
18"		D-11	1843-2AD11
20"	2043-2000	D-8	2043-2AD8
20"		D-11	2043-2AD11
24"	2443-2000	D-8	2443-2AD8
24"		D-11	2443-2AD11
28"	2843-2000	D-11	2843-2AD11
36"	3643-2000	D-11	3643-2AD11

Larger sizes available, up to 60" dia., contact PBA for price quotation. Consult factory for 40" and larger sizes.

Dimensional Data 4-Jaw Independent Steel Body Chucks

Chuck Dia.	B1	B3	B4	B5	B6	B7	B15	J10
16"	15.8"	7.874"	4.055"	.196"	6.61"	M-20	3.15"	2.70"
18"	17.7"	7.874"	4.055"	.196"	6.61"	M-20	4.33"	3.22"
20"	19.6"	9.842"	4.055"	.196"	8.66"	M-20	4.33"	3.22"
24"	23.6"	9.842"	4.055"	.196"	8.66"	M-20	4.92"	3.22"
28"	27.5"	9.842"	4.72"	.196"	8.66"	M-20	4.92"	3.39"
32"	31.5"	9.842"	5.31"	.196"	8.66"	M-20	4.92"	3.39"
36"	35.43"	*	*	*	*	M-20	*	3.39"

Dimensions are for flatback-mount chucks; on A, L and D mounted chucks dimension B15 will vary. *Specify when ordering. "L" type mounts available upon request.

HOW TO ORDER: State quantity, chuck number, and shipping instructions.