



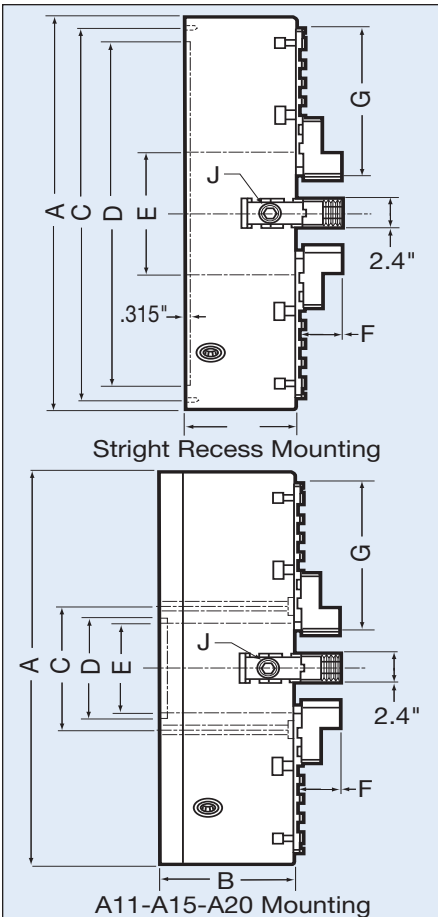
Atlas Workholding 4 Jaw Large Diameter Combination Chuck

24" - 40" Chucks

- ⊗ Forged steel body
- ⊗ Induction hardened in areas of friction
- ⊗ Chuck bodies fully ground, including guideways
- ⊗ Two piece jaws according to ASA norms
- ⊗ Steel jaws cement hardened, treated and ground on all surfaces
- ⊗ Scroll induction hardened and ground on spiral and internal diameter
- ⊗ Operating screws hardened and ground
- ⊗ Larger sizes available upon request

Manual Chucks
with Mounting Plates

| Chuck Size | Recessed Mount Steel | Straight D Mount Type Steel | | A Spindle Mount Steel | |
|------------|----------------------|-----------------------------|---------|-----------------------|---------|
| 24" | 2427300 | D-11 | 2427325 | A2-11 | 2427313 |
| | | D-15 | 2427326 | A2-15 | 2427314 |
| 28" | 2827300 | D-11 | 2827325 | A2-11 | 2827313 |
| | | D-15 | 2827326 | A2-15 | 2827314 |
| 32" | 3227300 | D-11 | 3227325 | A2-11 | 3227313 |
| | | D-15 | 3227326 | A2-15 | 3227314 |
| | | | | A2-20 | 3227315 |
| 36" | 3627300 | D-11 | 3627325 | A2-11 | 3627313 |
| | | D-15 | 3627326 | A2-15 | 3627314 |
| | | | | A2-20 | 3627315 |
| 40" | 4027300 | D-15 | 4027326 | A2-15 | 4027314 |
| | | | | A2-20 | 4027315 |



Dimensional Data (in inches)

| SIZE A | Mount | B | C | D | E | F | G | H | J |
|--------|--------|-------|--------|--------|--------------|-------|--------------|-------|-------|
| 24" | Recess | 7.68" | 23.07" | 21.45" | 7.09/10.55" | 3.39" | 8.35/7.09" | 6xM16 | 1.57" |
| | A11 | 8.66" | 9.25" | 7.75 | 7.09" | 3.39" | 8.35" | - | 1.57" |
| | A15 | 9.65" | 13.00" | 11.25 | 10.51" | 3.39" | 7.09" | - | 1.57" |
| 27.5" | Recess | 7.87" | 25.98" | 23.82 | 7.56/10.55" | 3.39" | 9.72/8.35" | 6xM20 | 1.57" |
| | A11 | 8.86" | 9.25" | 7.75 | 7.56" | 3.39" | 9.72" | - | 1.57" |
| | A15 | 8.86" | 13.00" | 11.25 | 10.51" | 3.39" | 8.35" | - | 1.57" |
| 31.5" | Recess | 8.07" | 29.92" | 27.76 | 10.55/15.00" | 3.39" | 9.72/7.24" | 6xM20 | 1.57" |
| | A11 | 9.06" | 9.25" | 7.75 | 7.56" | 3.39" | 10.71" | - | 1.57" |
| | A15 | 9.06" | 13.00" | 11.25 | 10.51" | 3.39" | 9.72" | - | 1.57" |
| 35.43" | A20 | 9.06" | 18.25" | 16.25 | 15.00" | 3.39" | 7.24" | - | 1.57" |
| | Recess | 8.46" | 33.46" | 31.69 | 11.02/15.00" | 3.39" | 10.71/9.72" | 6xM24 | 1.57" |
| | A11 | 9.45" | 9.25" | 7.75 | 7.56" | 3.39" | 10.71" | - | 1.57" |
| 39.37" | A15 | 9.45" | 13.00" | 11.25 | 11.02" | 3.39" | 10.71" | - | 1.57" |
| | A20 | 9.45 | 18.25" | 16.25 | 15.00" | 3.39" | 9.72" | - | 1.57" |
| | Recess | 8.86" | 37.40" | 35.63 | 11.02/16.06" | 3.39" | 12.87/10.71" | 6xM24 | 1.57" |
| 39.37" | A15 | 9.84" | 13.00" | 11.25 | 11.02" | 3.39" | 12.87" | - | 1.57" |
| | A20 | 9.84" | 18.25" | 16.25 | 16.06" | 3.39" | 10.71" | - | 1.57" |

HOW TO ORDER: State quantity, Model Number of chuck and shipping instructions.