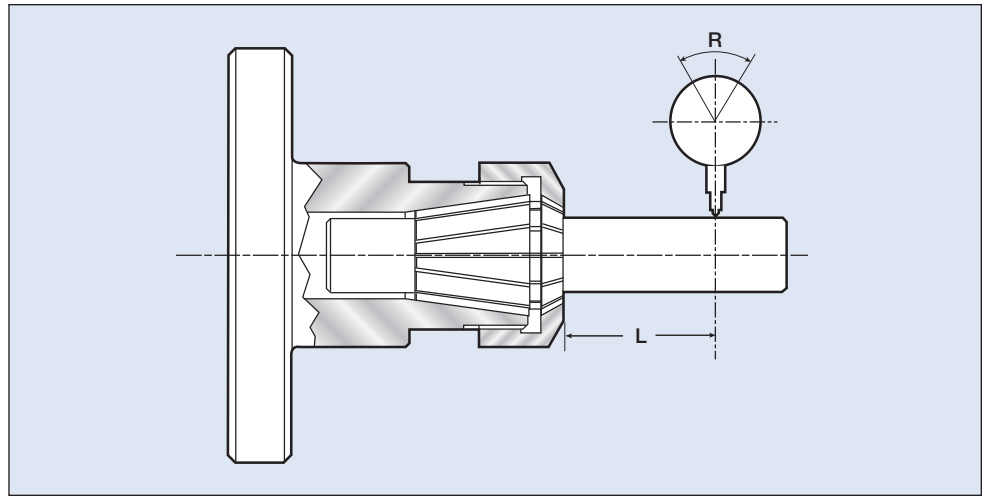




ER Collets
page 121 - 123

Crawford ER Collet Accuracy Chart



Accuracy chart for Crawford ER Collets

Bore Size Center or A/Flat	R Standard	R Precision	L Test Length
1.0mm - 1.5mm 0.039" - 0.059"	0.025mm 0.001"	0.015mm 0.0006"	@ Face
1.5mm - 3.0mm 0.059" - 0.118"	0.020mm 0.0008"	0.010mm 0.0004"	10.0mm 0.394"
3.0mm - 6.0mm 0.118" - 0.236"	0.020mm 0.0008"	0.010mm 0.0004"	16.0mm 0.630"
6.0mm - 10.0mm 0.236" - 0.394"	0.020mm 0.0008"	0.060mm 0.0024"	25.5mm 1.0"
10.0mm - 18.0mm 0.394" - 0.709"	0.030mm 0.0012"	0.010mm 0.0004"	40.0mm 1.575"
18.0mm - 27.0mm 0.709" - 1.063"	0.030mm 0.0012"	0.010mm 0.0004"	45.0mm 1.772"
27.0mm - 34.0mm 1.063" - 1.338"	0.030mm 0.0012"	0.010mm 0.0004"	50.0mm 1.968"