



# Crawford Multibore Collet Accuracy Chart



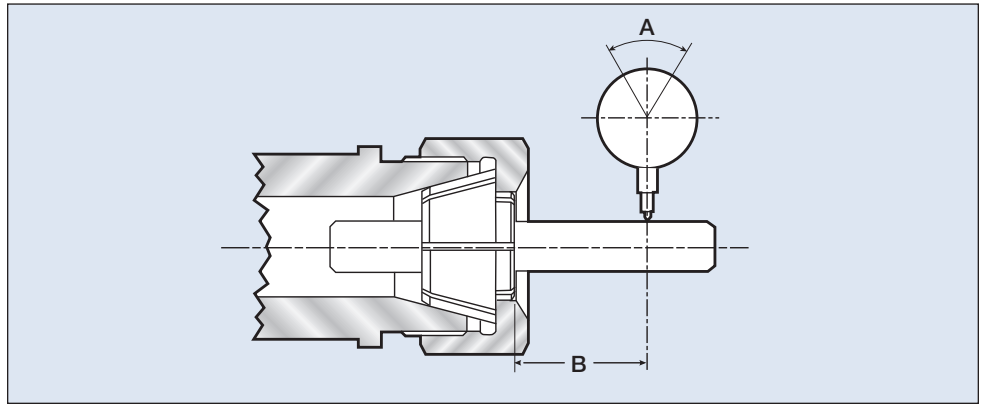
Plain Bore Multibore Collets  
page 116



Heavy Duty Multibore Collets  
page 117



Multibore Collets DIN 6343  
page 118



Bore Size Center or A/Flat	A		B Test Length
	Round	Hex & Square	
1.0mm 0.039"	0.015mm 0.0006"	0.046mm 0.0018"	3.0mm 0.125"
1.0mm - 1.5mm 0.039" - 0.059"	0.020mm 0.0008"	0.060mm 0.0024"	6.5mm 0.250"
1.5mm - 3.0mm 0.059" - 0.118"	0.020mm 0.0008"	0.060mm 0.0024"	9.5mm 0.375"
3.0mm - 6.0mm 0.118" - 0.236"	0.020mm 0.0008"	0.060mm 0.0024"	16.0mm 0.625"
6.0mm - 10.0mm 0.236" - 0.394"	0.020mm 0.0008"	0.060mm 0.0024"	25.5mm 1.0"
10.0mm - 19.0mm 0.394" - 0.748"	0.030mm 0.0012"	0.091mm 0.0036"	38.0mm 1.5"
19.0mm - 25.4mm 0.748" - 1.0"	0.030mm 0.0012"	0.091mm 0.0036"	51.0mm 2.0"
25.4mm - 32.0mm 1.0" - 1.26"	0.040mm 0.0016"	0.120mm 0.0048"	63.5mm 2.5"
32.0mm - 50.8mm 1.26" - 2.0"	0.040mm 0.0016"	0.120mm 0.0048"	76.0mm 3.0"
Over 50.8mm 2.0"	0.040mm 0.0016"	0.120mm 0.0048"	101.5mm 4.0"