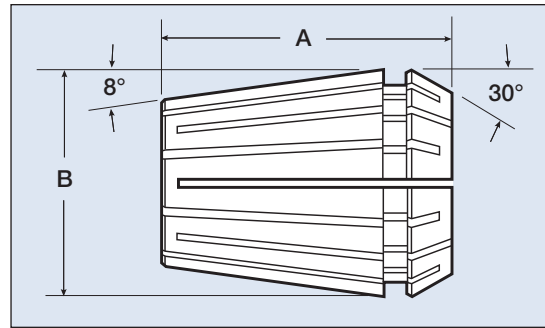




Pratt Burnerd ER Collets (Inch)

ER-11, ER-16, ER-20, ER-25, ER32 & ER40



Dimensions

Part No.	A	B
ER11	.71"	.45"
ER16	1.06"	.67"
ER20	1.22"	.81"
ER25	1.38"	1.02"
ER32	1.57"	1.30"
ER40	1.81"	1.61"

Size	ER-11 Range	Order No.
1/16"	.040" - .080"	ER11-1/16
1/8"	.120" - .160"	ER11-1/8
3/16"	.160" - .200"	ER11-3/16
1/4"	.236" - .275"	ER11-1/4

Size	ER-25 Range	Order No.
1/8"	.120" - .160"	ER25-1/8
3/16"	.160" - .200"	ER25-3/16
1/4"	.236" - .275"	ER25-1/4
5/16"	.275" - .315"	ER25-5/16
3/8"	.354" - .393"	ER25-3/8
13/32"	.393" - .433"	ER25-13/32
7/16"	.433" - .472"	ER25-7/16
1/2"	.472" - .511"	ER25-1/2
9/16"	.551" - .590"	ER25-9/16
5/8"	.590" - .629"	ER25-5/8

Size	ER-16 Range	Order No.
3/32"	.080" - .120"	ER16-3/32
1/8"	.120" - .160"	ER16-1/8
3/16"	.160" - .200"	ER16-3/16
7/32"	.200" - .236"	ER16-7/32
1/4"	.236" - .275"	ER16-1/4
5/16"	.275" - .315"	ER16-5/16
11/32"	.315" - .354"	ER16-11/32
3/8"	.354" - .393"	ER16-3/8
13/32"	.315" - .354"	ER16-13/32

Size	ER-32 Range	Order No.
1/8"	.120" - .160"	ER32-1/8
3/16"	.160" - .200"	ER32-3/16
1/4"	.236" - .275"	ER32-1/4
5/16"	.275" - .315"	ER32-5/16
3/8"	.354" - .393"	ER32-3/8
7/16"	.433" - .472"	ER32-7/16
1/2"	.472" - .511"	ER32-1/2
9/16"	.551" - .590"	ER32-9/16
5/8"	.590" - .629"	ER32-5/8
11/16"	.669" - .708"	ER32-11/16
3/4"	.708" - .748"	ER32-3/4
13/16"	.787" - .826"	ER32-13/16

Size	ER-20 Range	Order No.
1/8"	.120" - .160"	ER20-1/8
3/16"	.160" - .200"	ER20-3/16
1/4"	.236" - .275"	ER20-1/4
5/16"	.275" - .315"	ER20-5/16
3/8"	.354" - .393"	ER20-3/8
7/16"	.433" - .472"	ER20-7/16
1/2"	.472" - .511"	ER20-1/2

Size	ER-40 Range	Order No.
1/4"	.236" - .275"	ER40-1/4
5/16"	.275" - .315"	ER40-5/16
3/8"	.354" - .393"	ER40-3/8
7/16"	.433" - .472"	ER40-7/16
1/2"	.472" - .511"	ER40-1/2
9/16"	.551" - .590"	ER40-9/16
5/8"	.590" - .629"	ER40-5/8
11/16"	.669" - .708"	ER40-11/16
3/4"	.708" - .748"	ER40-3/4
7/8"	.866" - .905"	ER40-7/8
1"	.984" - 1.02"	ER40-1

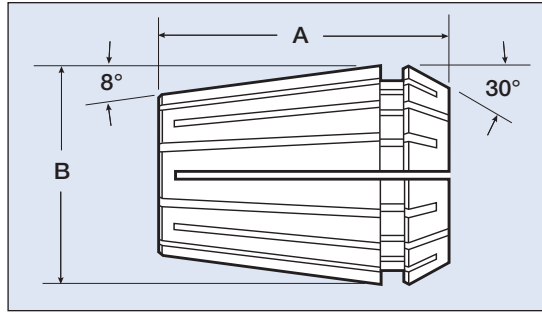
See page 127 for Accuracy Chart



Pratt Burnerd ER Collets (Metric)

ER-11, ER-16, ER-20, ER-25 & ER32

**Metric ER Collets
Sold in Sets Only**



Dimensions

Part No.	A	B
ER11-F-537	18mm	11.4mm
ER16-H-631	27mm	17mm
ER20-H-702	31mm	20.5mm
ER25-D-617	35mm	26mm
ER32-D-098	40mm	33mm

ER-11-F-537 SET (range \pm .127mm)	
Size	Part No.
1mm	ER11-1mm
1.5mm	ER11-1.5mm
2mm	ER11-2mm
2.5mm	ER11-2.5mm
3mm	ER11-3mm
3.5mm	ER11-3.5mm
4mm	ER11-4mm
4.5mm	ER11-4.5mm
5mm	ER11-5mm
5.5mm	ER11-5.5mm
6mm	ER11-6mm
6.5mm	ER11-6.5mm
7mm	ER11-7mm

ER-25-D-617 (range \pm .127mm)	
Size	Part No.
2mm	ER25-2mm
3mm	ER25-3mm
4mm	ER25-4mm
5mm	ER25-5mm
6mm	ER25-6mm
7mm	ER25-7mm
8mm	ER25-8mm
9mm	ER25-9mm
10mm	ER25-10mm
11mm	ER25-11mm
12mm	ER25-12mm
13mm	ER25-13mm
14mm	ER25-14mm
15mm	ER25-15mm
16mm	ER25-16mm

ER-16-H-631 (range \pm .127mm)	
Size	Part No.
1mm	ER16-1mm
2mm	ER16-2mm
3mm	ER16-3mm
4mm	ER16-4mm
5mm	ER16-5mm
6mm	ER16-6mm
7mm	ER16-7mm
8mm	ER16-8mm
9mm	ER16-9mm
10mm	ER16-10mm

ER-32-D-098 (range \pm .127mm)	
Size	Part No.
3mm	ER32-3mm
4mm	ER32-4mm
5mm	ER32-5mm
6mm	ER32-6mm
7mm	ER32-7mm
8mm	ER32-8mm
9mm	ER32-9mm
10mm	ER32-10mm
11mm	ER32-11mm
12mm	ER32-12mm
13mm	ER32-13mm
14mm	ER32-14mm
15mm	ER32-15mm
16mm	ER25-16mm
17mm	ER25-17mm
18mm	ER25-18mm
19mm	ER25-19mm
20mm	ER25-20mm

ER-20 (range \pm .127mm)	
Size	Part No.
2mm	ER20-2mm
3mm	ER20-3mm
4mm	ER20-4mm
5mm	ER20-5mm
6mm	ER20-6mm
7mm	ER20-7mm
8mm	ER20-8mm
9mm	ER20-9mm
10mm	ER20-10mm
11mm	ER20-11mm
12mm	ER20-12mm
13mm	ER20-13mm

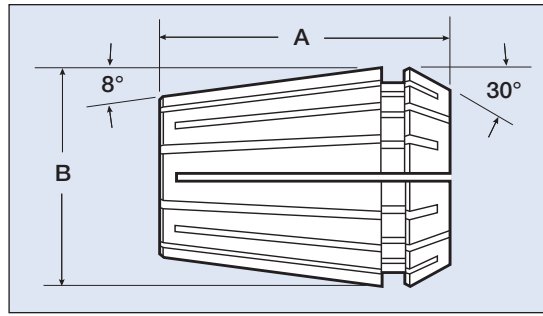
See page 127 for Accuracy Chart



**Metric ER Collets
Sold in Sets Only**



Pratt Burnerd ER Collets (Metric)
ER-40 & ER Collet Sets (Inch & Metric)



Dimensions

Part No.	A	B
ER40-F-598	18mm	11.4mm

ER-40-F-598 (range $\pm .127$ mm)	
Size	Part No.
4mm	ER40-4mm
5mm	ER40-5mm
6mm	ER40-6mm
7mm	ER40-7mm
8mm	ER40-8mm
9mm	ER40-9mm
10mm	ER40-10mm
11mm	ER40-11mm
12mm	ER40-12mm
13mm	ER40-13mm
14mm	ER40-14mm
15mm	ER40-15mm

ER-40-F-598 (range $\pm .127$ mm)	
Size	Part No.
16mm	ER40-16mm
17mm	ER40-17mm
18mm	ER40-18mm
19mm	ER40-19mm
20mm	ER40-20mm
21mm	ER40-21mm
22mm	ER40-22mm
23mm	ER40-23mm
24mm	ER40-24mm
25mm	ER40-25mm
26mm	ER40-26mm

See page 127 for Accuracy Chart



ER Collet Sets (Inch)

Order Number	Number Pieces	Range	Collet Size
ER11-SET	4	1/16"-1/4"	ER11
ER16-SET	11	3/32"-13/32"	ER16
ER20-SET	7	1/8"-1/2"	ER20
ER25-SET	9	1/8"-5/8"	ER25
ER32-SET	12	1/8"-13/16"	ER32
ER40-SET	10	1/4"-1"	ER40

ER Collet Sets (Metric)

Order Number	Number Pieces	Range	Increments	Collet Size
F537 SET	13	1-7mm	0.5mm	ER11
H631 SET	10	1-10mm	1mm	ER16
H702 SET	12	2-13mm	1mm	ER20
D617 SET	15	2-16mm	1mm	ER25
D098 SET	12	3-20mm	1mm	ER32
F598 SET	10	4-26mm	1mm	ER40

See page 127 for Accuracy Chart