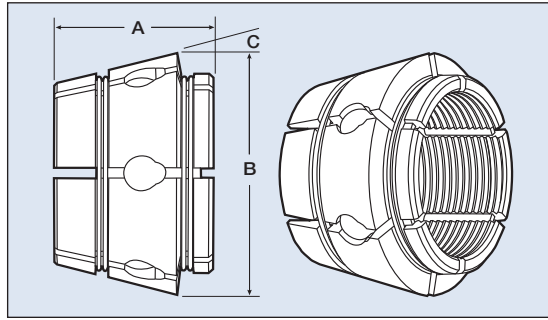


Crawford Multibore Collets DIN 6343 Serrated Bore



Dimensions

Part No.	A	B	C
M-673	1.53"	2.42"	14.75°
M-677	1.77"	3.36"	14.75°
J-660	1.89"	4.27"	14.75°

U.S. Trade Mark 2,898,519

Grip Range		M-673 175E Compatible (4728)			M-677 185E Compatible (4291)			J-660 193E Compatible (H-47)		
Inch	MM	Round	Hex	Square	Round	Hex	Square	Round	Hex	Square
.15 - .23	4 - 6	M673-R-6*	M673-X-6*	M673-S-6*	M677-R-6*	M677-X-6*	M677-S-6*	-	-	-
.23 - .31	6 - 8	M673-R-8*	M673-X-8*	M673-S-8*	M677-R-8	M677-X-8	M677-S-8	-	-	-
.31 - .39	8 - 10	M673-R-10	M673-X-10	M673-S-10	M677-R-10	M677-X-10	M677-S-10	-	-	-
.39 - .47	10 - 12	M673-R-12	M673-X-12	M673-S-12	M677-R-12	M677-X-12	M677-S-12	-	-	-
.47 - .55	12 - 14	M673-R-14	M673-X-14	M673-S-14	M677-R-14	M677-X-14	M677-S-14	J660-R-14	J660-X-14	J660-S-14
.55 - .63	14 - 16	M673-R-16	M673-X-16	M673-S-16	M677-R-16	M677-X-16	M677-S-16	J660-R-16	J660-X-16	J660-S-16
.63 - .70	16 - 18	M673-R-18	M673-X-18	M673-S-18	M677-R-18	M677-X-18	M677-S-18	J660-R-18	J660-X-18	J660-S-18
.70 - .78	18 - 20	M673-R-20	M673-X-20	M673-S-20	M677-R-20	M677-X-20	M677-S-20	J660-R-20	J660-X-20	J660-S-20
.78 - .86	20 - 22	M673-R-22	M673-X-22	M673-S-22	M677-R-22	M677-X-22	M677-S-22	J660-R-22	J660-X-22	J660-S-22
.86 - .94	22 - 24	M673-R-24	M673-X-24	M673-S-24	M677-R-24	M677-X-24	M677-S-24	J660-R-24	J660-X-24	J660-S-24
.94 - 1.02	24 - 26	M673-R-26	M673-X-26	M673-S-26	M677-R-26	M677-X-26	M677-S-26	J660-R-26	J660-X-26	J660-S-26
1.02 - 1.10	26 - 28	M673-R-28	M673-X-28	M673-S-28	M677-R-28	M677-X-28	M677-S-28	J660-R-28	J660-X-28	J660-S-28
1.10 - 1.18	28 - 30	M673-R-30	M673-X-30	M673-S-30	M677-R-30	M677-X-30	M677-S-30	J660-R-30	J660-X-30	J660-S-30
1.18 - 1.25	30 - 32	M673-R-32	M673-X-32	-	M677-R-32	M677-X-32	M677-S-32	J660-R-32	J660-X-32	J660-S-32
1.25 - 1.33	32 - 34	M673-R-34	M673-X-34	-	M677-R-34	M677-X-34	M677-S-34	J660-R-34	J660-X-34	J660-S-34
1.33 - 1.41	34 - 36	M673-R-36	M673-X-36	-	M677-R-36	M677-X-36	M677-S-36	J660-R-36	J660-X-36	J660-S-36
1.41 - 1.49	36 - 38	M673-R-38	-	-	M677-R-38	M677-X-38	M677-S-38	J660-R-38	J660-X-38	J660-S-38
1.49 - 1.57	38 - 40	M673-R-40	-	-	M677-R-40	M677-X-40	M677-S-40	J660-R-40	J660-X-40	J660-S-40
1.57 - 1.65	40 - 42	M673-R-42	-	-	M677-R-42	M677-X-42	M677-S-42	J660-R-42	J660-X-42	J660-S-42
1.65 - 1.73	42 - 44	-	-	-	M677-R-44	M677-X-44	-	J660-R-44	J660-X-44	J660-S-44
1.73 - 1.81	44 - 46	-	-	-	M677-R-46	M677-X-46	-	J660-R-46	J660-X-46	J660-S-46
1.81 - 1.89	46 - 48	-	-	-	M677-R-48	M677-X-48	-	J660-R-48	J660-X-48	J660-S-48
1.89 - 1.92	48 - 50	-	-	-	M677-R-50	M677-X-50	-	J660-R-50	J660-X-50	J660-S-50
1.92 - 2.04	50 - 52	-	-	-	M677-R-52	M677-X-52	-	J660-R-52	J660-X-52	J660-S-52
2.04 - 2.12	52 - 54	-	-	-	M677-R-54	-	-	J660-R-54	J660-X-54	J660-S-54
2.12 - 2.20	54 - 56	-	-	-	M677-R-56	-	-	J660-R-56	J660-X-56	J660-S-56
2.20 - 2.28	56 - 58	-	-	-	M677-R-58	-	-	J660-R-58	J660-X-58	-
2.28 - 2.36	58 - 60	-	-	-	M677-R-60	-	-	J660-R-60	J660-X-60	-
2.36 - 2.44	60 - 62	-	-	-	-	-	-	J660-R-62	J660-X-62	-
2.44 - 2.52	62 - 64	-	-	-	-	-	-	J660-R-64	J660-X-64	-
2.52 - 2.59	64 - 66	-	-	-	-	-	-	J660-R-66	J660-X-66	-
2.59 - 2.67	66 - 68	-	-	-	-	-	-	J660-R-68	J660-X-68	-
2.67 - 2.75	68 - 70	-	-	-	-	-	-	J660-R-70	-	-
2.75 - 2.83	70 - 72	-	-	-	-	-	-	J660-R-72	-	-
2.83 - 2.91	72 - 74	-	-	-	-	-	-	J660-R-74	-	-
2.91 - 2.99	74 - 76	-	-	-	-	-	-	J660-R-76	-	-
2.99 - 3.07	76 - 78	-	-	-	-	-	-	J660-R-78	-	-
3.07 - 3.14	78 - 80	-	-	-	-	-	-	J660-R-80	-	-

Round bore collets are supplied with spiral serrations except where marked with (*)
Hexagonal and square collets are supplied with annular serrations except where marked with (*)
All collets marked with (*) are supplied with plain bore

See page 126 for Accuracy Chart