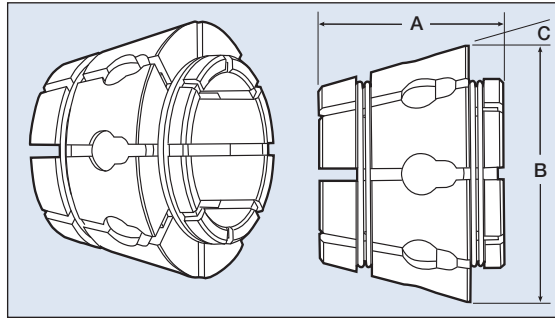




Crawford Plain Bore Multibore Collets



Dimensions

Part No.	A	B	C
T-980	1.66"	1.99"	14°
W-850	2.04"	2.76"	15°
V-120	2.47"	3.46"	15°
T-285	2.88"	3.91"	15°
N-175	3.15"	4.72"	15°

U.S. Trade Mark 2,898,519

Grip Range		T-980			W-850		
Inch	MM	Round	Hex	Square	Round	Hex	Square
1/16 - 3/16	1.58 - 4.76	T980-R-B1	T980-X-B68	T980-S-B86	W850-R-C1	W850-X-C68	W850-S-C86
1/8 - 1/4	3.17 - 6.35	T980-R-B2	T980-X-B69	T980-S-B87	W850-R-C2	W850-X-C69	W850-S-C87
1/4 - 3/8	6.35 - 9.52	T980-R-B3	T980-X-B70	T980-S-B88	W850-R-C3	W850-X-C70	W850-S-C88
3/8 - 1/2	9.52 - 12.70	T980-R-B4	T980-X-B71	T980-S-B89	W850-R-C4	W850-X-C71	W850-S-C89
1/2 - 5/8	12.70 - 15.87	T980-R-B5	T980-X-B72	T980-S-B90	W850-R-C5	W850-X-C72	W850-S-C90
5/8 - 3/4	15.87 - 19.05	T980-R-B6	T980-X-B73	T980-S-B91	W850-R-C6	W850-X-C73	W850-S-C91
3/4 - 7/8	19.05 - 22.22	T980-R-B7	T980-X-B74	-	W850-R-C7	W850-X-C74	W850-S-C92
7/8 - 1	22.22 - 25.40	T980-R-B8	T980-X-B75	-	W850-R-C8	W850-X-C75	W850-S-C93
1 - 1-1/8	25.40 - 28.57	T980-R-B9	-	-	W850-R-C9	W850-X-C76	W850-S-C94
1-1/8 - 1-1/4	28.57 - 31.75	-	-	-	W850-R-C10	W850-X-C77	W850-S-C95
1-1/4 - 1-3/8	31.75 - 34.92	-	-	-	W850-R-C11	W850-X-C78	-
1-3/8 - 1-1/2	34.92 - 38.10	-	-	-	W850-R-C12	W850-X-C79	-
1-1/2 - 1-5/8	38.10 - 41.27	-	-	-	W850-R-C13	-	-
1-1/2 - 1-5/8	38.10 - 41.27	-	-	-	W850-R-C14*	-	-

*39-42mm round only

Grip Range		V-120			T-285			Round	N-175	
Inch	MM	Round	Hex	Square	Round	Hex	Square	& Smooth Bore	Hex	Square
1/16 - 3/16	1.58 - 4.76	V120-R-D1	-	-	-	-	-	-	-	-
1/8 - 1/4	3.17 - 6.35	V120-R-D2	V120-X-D69	V120-S-D87	T285-R-E2	T285-X-E69	T285-S-E87	-	-	-
1/4 - 3/8	6.35 - 9.52	V120-R-D3	V120-X-D70	V120-S-D88	T285-R-E3	T285-X-E70	T285-S-E88	-	-	-
3/8 - 1/2	9.52 - 12.70	V120-R-D4	V120-X-D71	V120-S-D89	T285-R-E4	T285-X-E71	T285-S-E89	-	-	-
1/2 - 5/8	12.70 - 15.87	V120-R-D5	V120-X-D72	V120-S-D90	T285-R-E5	T285-X-E72	T285-S-E90	N175-R-F5	N175-X-F72	N175-S-F100
5/8 - 3/4	15.87 - 19.05	V120-R-D6	V120-X-D73	V120-S-D91	T285-R-E6	T285-X-E73	T285-S-E91	N175-R-F6	N175-X-F73	N175-S-F101
3/4 - 7/8	19.05 - 22.22	V120-R-D7	V120-X-D74	V120-S-D92	T285-R-E7	T285-X-E74	T285-S-E92	N175-R-F7	N175-X-F74	N175-S-F102
7/8 - 1	22.22 - 25.40	V120-R-D8	V120-X-D75	V120-S-D93	T285-R-E8	T285-X-E75	T285-S-E93	N175-R-F8	N175-X-F75	N175-S-F103
1 - 1-1/8	25.40 - 28.57	V120-R-D9	V120-X-D76	V120-S-D94	T285-R-E9	T285-X-E76	T285-S-E94	N175-R-F9	N175-X-F76	N175-S-F104
1-1/8 - 1-1/4	28.57 - 31.75	V120-R-D10	V120-X-D77	V120-S-D95	T285-R-E10	T285-X-E77	T285-S-E95	N175-R-F10	N175-X-F77	N175-S-F105
1-1/4 - 1-3/8	31.75 - 34.92	V120-R-D11	V120-X-D78	V120-S-D96	T285-R-E11	T285-X-E78	T285-S-E96	N175-R-F11	N175-X-F78	N175-S-F106
1-3/8 - 1-1/2	34.92 - 38.10	V120-R-D12	V120-X-D79	V120-S-D97	T285-R-E12	T285-X-E79	T285-S-E97	N175-R-F12	N175-X-F79	N175-S-F107
1-1/2 - 1-5/8	38.10 - 41.27	V120-R-D13	V120-X-D80	V120-S-D98	T285-R-E13	T285-X-E80	T285-S-E98	N175-R-F13	N175-X-F80	N175-S-F108
1-5/8 - 1-3/4	41.27 - 44.45	V120-R-D14	V120-X-D81	-	T285-R-E14	T285-X-E81	T285-S-E99	N175-R-F14	N175-X-F81	N175-S-F109
1-3/4 - 1-7/8	44.45 - 47.62	V120-R-D15	V120-X-D82	-	T285-R-E15	T285-X-E82	-	N175-R-F15	N175-X-F82	N175-S-F110
1-7/8 - 2	47.62 - 50.80	V120-R-D16	V120-X-D83	-	T285-R-E16	T285-X-E83	-	N175-R-F16	N175-X-F83	N175-S-F111
2 - 2-1/8	50.80 - 53.97	V120-R-D17	-	-	T285-R-E17	T285-X-E84	-	N175-R-F17	N175-X-F84	N175-S-F112
2-1/8 - 2-1/4	53.97 - 57.15	-	-	-	T285-R-E18	T285-X-E85	-	N175-R-F18	N175-X-F85	-
2-1/4 - 2-3/8	57.15 - 60.32	-	-	-	T285-R-E19	-	-	N175-R-F19	N175-X-F86	-
2-3/8 - 2-1/2	60.32 - 63.50	-	-	-	T285-R-E20	-	-	N175-R-F20	N175-X-F87	-
2-1/2 - 2-5/8	63.50 - 66.67	-	-	-	T285-R-E21	-	-	N175-R-F21	N175-X-F88	-
2-5/8 - 2-3/4	66.67 - 69.85	-	-	-	-	-	-	N175-R-F22	-	-
2-3/4 - 2-7/8	69.85 - 73.02	-	-	-	-	-	-	N175-R-F23	-	-
2-7/8 - 3	73.02 - 76.20	-	-	-	-	-	-	N175-R-F24	-	-
3 - 3-1/8	76.20 - 79.37	-	-	-	-	-	-	N175-R-F25	-	-

See page 126 for Accuracy Chart