



# Atlas Air Powered Front Mount B60 Dead Length Collet Chucks

**No Draw-tube or Air Feed Tubes Required: for Lathes, Rotary Tables and Grinders: Series ATL208-B60**

**Collet Chuck Order No. with Mount:**

**ATL208-B60**

**Straight Recess Mount Type A Mount**

**ATL208-B60A5**

**ATL208-B60A6**

**ATL208-B60A8**

**Type D Mount**

**ATL208-B60D4**

**ATL208-B60D5**

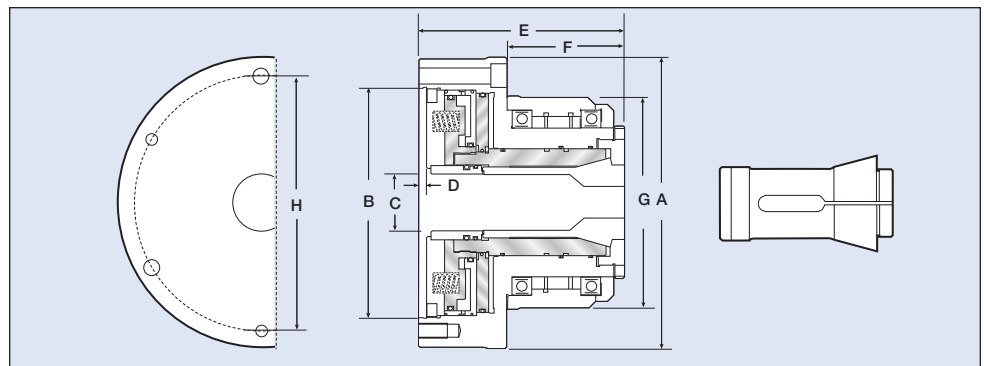
**ATL208-B60D6**

**ATL208-B60D8**

**Collet Chuck Supplied with:**

- 2 Filter Bars
- 2 Air Hoses
- 1 Fixing Bracket for Hoses
- 1 Hex Key
- Mounting Bolts
- Users Manual

- ⊕ No Hydraulic System Required
- ⊕ No Draw Tube or Air Feed Tubes Restricting Spindle Bore
- ⊕ No Rear Cylinders and Cylinder Adapters
- ⊕ Low Cost
- ⊕ Easily Convert any Lathe or Grinder into a Production Machine
- ⊕ Ideal for Rotary Table Applications
- ⊕ Change from Collet Chuck to Standard Chuck Quick and Easy
- ⊕ High Speed 3000 RPM
- ⊕ High Accuracy Less Than .001" TIR
- ⊕ Repeats on Duplicate Parts Plus Minus .0002"
- ⊕ Dead Length Design
- ⊕ For Best Accuracy Use High Quality Crawford Collets
- ⊕ Lever or Foot Pedal Actuated
- ⊕ Low Maintenance with Oil Mist Lubrication System
- ⊕ High Resistance to Coolant and Chip Penetration
- ⊕ Uses B60 Collets, Range 1/16" (1mm) to 2-3/8" (60.5mm)
- ⊕ Available in A, D, L, Threaded and Straight Recess Mounting



Collet Chuck	ATL208-B60
A	207mm (8.15")
B	170mm (6.69")
C	60.5mm (2.37")
D	5mm (0.20")
E	148mm (5.83")
F	86mm (3.39")
G	168mm (6.61")
H	186mm (7.32")

Specifications	ATL208-B60
Screw Hole Dia	11mm (0.43") x 3 - M10 x P1.5 x 3
Collet Type	B60 Collets
Max. RPM	3000
Sleeve Stroke	4mm (0.16")
Air Pressure	3-8 kg/cm <sup>2</sup> (42-114 psi)
Through Hole Dia	6.5mm (2.375")
Chuck Weight	18.kgkg (42.6lbs)
Grip Force	15,950 lbs @ 100 PSI

**NOTE:** "E" shown is for model ATL208-B60 Collet Chuck with no mounting plate. Add 3/4" to the "E" dimension for mounting plate. This will vary slightly depending on the mounting required. If an exact "E" dimension is required, consult factory.

**OPTIONS:** Order No: **LEV100** Lever Control Package: (Includes: Lever Control, Line Filter, Lubricator and regulator.

Order No: **FOT200** Foot Pedal Control Package: (Includes: Foot Pedal, Line Filter, Lubricator and regulator.